



臺灣迪肯特股份有限公司

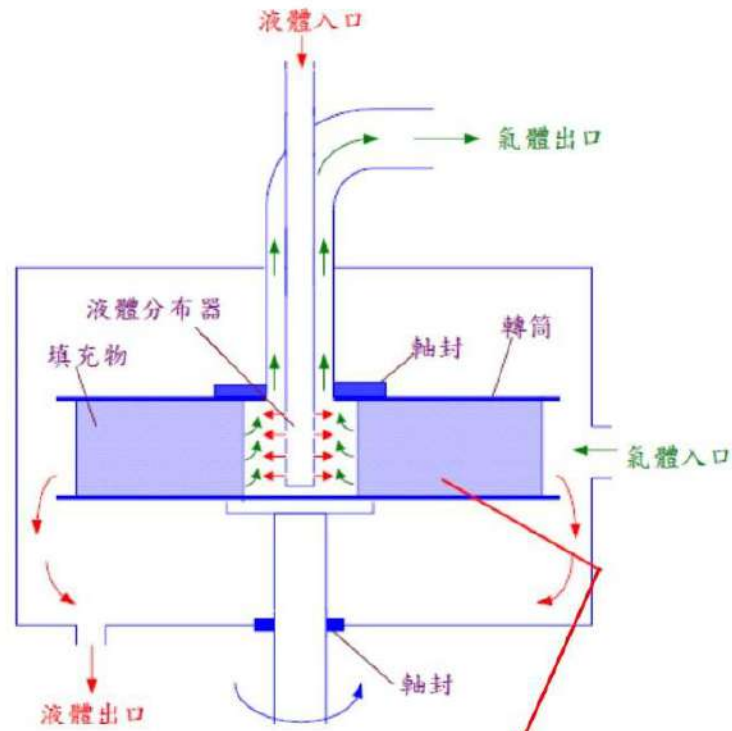
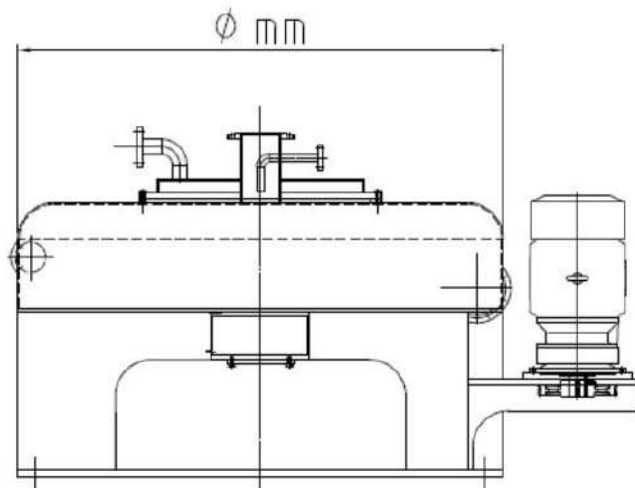
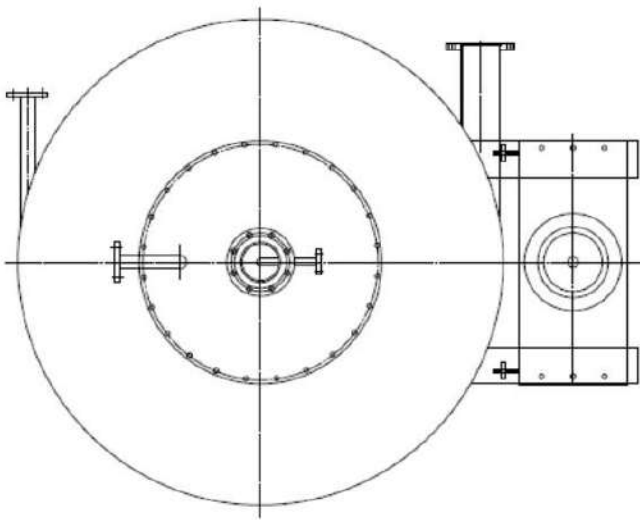
通過ISO9001國際認證

# 超重力機

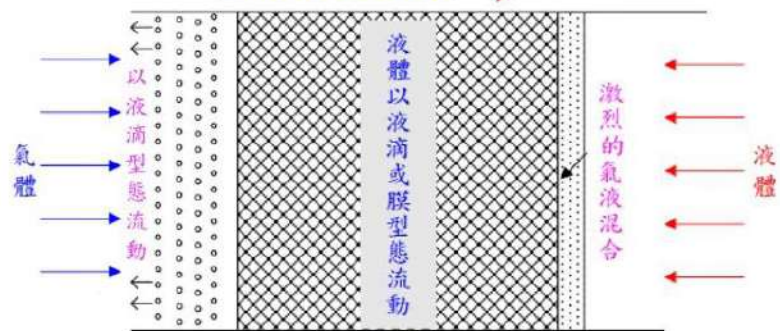
Rotating Packed Bed, RPB

## 外型圖 (APPEARANCE DIAGRAM)

規格：φ 180mm ~ φ 2000mm



### 氣液接觸方式



旋轉填充床

地址：新竹縣新豐鄉新豐村1鄰紅毛23-12號  
No. 23-12, HongMao, 1st Neighborhood, Sinfong Village,  
Sinfong Township, HsinChu County, 30472, Taiwan(R.O.C.)

TEL 886-3-5686800  
FAX 886-3-5680390  
E-MAIL decanter@ms10.hinet.net



臺灣迪肯特股份有限公司

通過ISO9001國際認證



# 超重力機

## Rotating Packed Bed, RPB



項目	傳統製程 (批次式)	超重力 (連續式)
蒸發器 丙酮脫附原理	槽內蒸發脫附,易造成結膜, 清洗不易	外循環設計,不易結膜,成 小液滴,接觸面積大,易脫附
丙酮 脫附時間 及殘餘量	3噸槽: 脫附時間:12小時以上 殘量:5,000PPM以上	10噸槽: 脫附時間: 2Hr 殘量: 90PPM
結膜處理	嚴重(不易處理)	無
丙酮回收	無	有
清洗液回收	無	清水循環/下批次再用
系統體積	約12M長x7寬x18M高	約38M長x7寬x24M高
產品品質	中	佳

Item	Traditional process (Batch type)	RPB (Continuous)
Evaporator acetone desorption principle	Tank evaporation desorption; easily lead to conjunctiva, cleaning is not easy	External circulation design, not easy to conjunctiva, into small droplets, contact area, easy desorption
Acetone desorption time and residual amount	3 trough: Desorption time: 12 hours or more Residual amount: 5,000 ppm or more	10 trough: Desorption time: 2Hr Residual amount: 90PPM
Conjunctival treatment	Severe (Difficult to handle)	No
Acetone recovery	No	Have
Cleaning fluid recovery	No	Water cycle / Next batch reuse
System volume	About 12M long x7 wide x18M high	About 38M long x7 wide x24M high
Product quality	Medium quality	Good quality

### 主要用途和適用範圍

適用範圍：

乙醇、甲醇、丙酮、乙酸乙酯、乙腈、四氫呋喃、二氯甲烷、DMF、DMSO、甲苯、異丙醇、叔丁醇等有機溶劑的回收及產品分離提純。

在原料藥、醫藥中間體、精細化工、生物柴油、環保、製酒等行業。

### Major Uses and Application Scope

Scope of application:

Recovery of organic solvents such as ethanol, methanol, acetone, ethyl acetate, acetonitrile, tetrahydrofuran, methylene chloride, DMF, DMSO, toluene, isopropanol and tert-butanol and product separation and purification.

In the pharmaceutical raw materials, pharmaceutical intermediates, fine chemicals, biodiesel, environmental protection, liquor and other industries.

地址：新竹縣新豐鄉新豐村1鄰紅毛23-12號  
No.23-12,HongMao,1st Neighborhood, Sinfong Village,  
Sinfong Township, HsinChu County,30472,Taiwan(R.O.C.)

TEL 886-3-5686800  
FAX 886-3-5680390  
E-MAIL decanter@ms10.hinet.net