

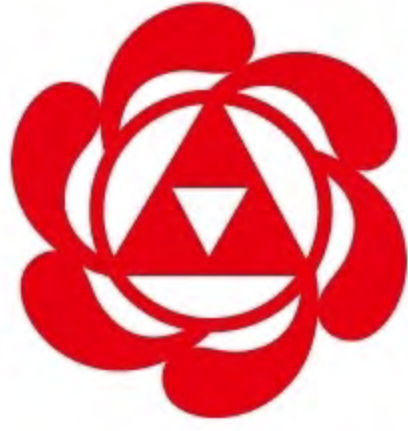
臺灣迪肯特
TAIWAN DECANTER



化工機械設計製造

CHEMICAL MACHINERY DESIGN & MANUFACTURE

www.decanter.com.tw



臺灣迪肯特股份有限公司

TAIWAN DECANTER CO ., LTD

新竹縣新豐鄉新豐村1鄰紅毛23-12號
No.23-12,HongMao,1st Neighborhood, Sinfong Village,
Sinfong Township, HsinChu County,30472,Taiwan(R.O.C.)

TEL 886-3-5686800

FAX 886-3-5680390

Http:// www.decanter.com.tw



DECANTER

About Taiwan Decanter Co., Ltd.

Taiwan Decanter Co., Ltd. established in 1988. We are specialized in design and manufacture of chemical machinery and turnkey plant projects. Our company has achieved annual sales of NT\$250millions. From business start-up onwards, the company has been spending efforts on enhancing company-wide capability and gaining reliable reputation by employee training, and software and hardware upgrades, and technology update, and systematic management, and new product development. Thanks to the trust honored by our customers, machinery and equipment supplied from our manufacture have been rewarded with excellent feedbacks. Quality is our management focus. The company has been successfully awarded in October 1999 with ASR ISO9001.

Our expertises in the manufacture of machinery and equipment for fine chemical processors are success stories of our cooperation with customers for product development. Typical examples like continuous cooling belt granulator for resin manufacture, and vacuum filtration-belnding-dryer. The company had successfully developed high and low viscous film generator by a joint project with ITRI. In January 1999. We have achieved the agency agreement for selling PFAUDLER glass-lining equipment that made by PFAUDLER. This adds to the supplement of our product program and broadens our service to customers.

From 1993 onwards, we have been supplying machinery and equipment, and turnkey plant projects, for the resin manufactures of PU, PET and PU synthetic leather. We have been enjoying good reputation and good market share in China. Our sales and service to customers in China are reaching all locations in China, such as in Fujian, Guangdong, Zhejiang Jiangsu, Shanghai Henan, Hebei, Hubei, Anhui, Shandong, etc. Recent project, such as PU system house project of BASF Headway Polyurethanes(China)Ltd. In Nansha of Guandong Province completed in September 1999, and production plant project of Dongguan Huayang Chemical Ltd. In March 2000. To extend our service close to our customers in China, we invested in a joint venture with Zhejiang Jiaxing Hexin Group and established Jiaxing Decanter Chemical Machinery Ltd.

Taiwan Decanter CO., LTD extended from July 2008. The address located No23-12, Hong Mao, 1st Neighborhood , Sinfong Village, Sinfong Township , HsinChu Country, 30472, Taiwan (R.O.C). The measure is 325 square metre. The manufacture factory square measure is 212 square metre . We manufacture Bio diesel, Solvent recycle, Waste water combustion equipment, Our market extend all over Mainland China, Singapore Indonesia, Malaysia, Thailand, Vietnam, Japan, Spain and South Africa etc.

It is our mind-set:

Our Goal, Customer Satisfaction; Customer Satisfaction, Our Power.





公司簡介

臺灣迪肯特股份有限公司成立於1988年，專業於化工機械設計，製造及整廠輸出工程，年營業額約二億五千萬臺幣，公司創建始，無不時時致力於人才之培訓，軟硬體設備之充實、新技術之引進、制度之建立、新產品之開發等等，以提升整體之能力創立誠信可靠的商譽。承蒙業界客戶之信賴與抬愛，本公司所產銷之各類型專業設備廣受好評，為落實品質之穩定本公司於1999年3月起接受金屬工業研究發展中心之輔導，歷時7個月著力於品質手冊、作業辦法等，於1999年10月正式取得ASR ISO9001國際認證。

本公司系特用化學品工業之專業設備製造廠，基於客戶需求歷年來已成功開發出連續式鋼帶冷卻型樹脂造粒機、真空吸濾混合乾燥機，目前正與化學工業研究所共同研發高、低黏度薄膜蒸發器。

臺灣迪肯特股份有限公司自1993年始專業從事PU、PET人造PU合成皮革樹脂反應設備之生產及整廠輸出等業務，在中國大陸市場占有很大實績及聲譽，市場遍及大陸各省含福建、廣東、浙江、江蘇、上海、河南、河北、湖北、安徽、山東...等。並於1999年9月完成BASF中國廣東南沙廠建廠工程、2000年3月完成東莞華揚化工建廠工程。鑒於客戶服務之方便性及服務效率。

鑒於客戶服務之方便性及服務效率，臺灣迪肯特於2008年7月擴廠，廠址於新竹縣新豐鄉新豐村1鄰紅毛23-12號，占地1071坪，其中生產工廠面積為700坪，從事生質柴油，溶劑回收，廢水濃縮及燃燒裝置之整廠設備製造及輸出，市場遍及中國大陸，新加坡、印尼、馬來西亞、泰國、越南、日本、西班牙、南非等。

生產設備

1. 10噸架空行走起重機	2臺
2. 5噸架空行走起重機	3臺
3. 2M冷作輾圓機	1臺
4. 4'車床	1臺
5. 8'車床	2臺
6. 1200mm大直徑車床	1臺
7. 立式銑床	1臺
8. 950mm旋臂式鑽床	2臺
9. 1'立式鑽床	2臺
10. 萬能加工機	1臺
11. 32mm電磁固定式鑽孔機	1臺
12. 瓦斯自動切割機	2臺
13. 16"砂輪切割機	2臺
14. 6"手提砂輪機	3臺
15. 4"手提砂輪機	8臺
16. 400A電焊機	10臺
17. CO2半自動焊接機	3臺
18. 氬焊機MILLER	2臺
19. 電離子切割機	3臺
20. 1000A潛伏焊機(附十字架)	1臺
21. 氬焊機(日立)300A	2臺
22. 氬焊機(日立)500A	2臺

設計製圖室設備

1. CAD 電腦	10臺
2. 伺服電腦	2臺
3. 噴墨式印表機	5臺
4. 雷射印表機	3臺

Producing equipment:

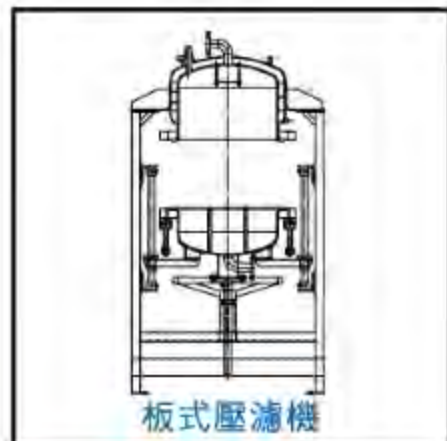
1. 10Ton empty walking Machina	2EA
2. 5Ton empty walking Machine	3EA
3. 2M Rolling Machine	1EA
4. 4'lathe	1EA
5. 8'lathe	2EA
6. 1200mm big lathe	1EA
7. Vertical Miller	1EA
8. 950mm hydraulic radial drillig Machine	2EA
9. 1 inch Vertical drill	1EA
10. Omnipotent process Machine	1EA
11. 32mm electronic fixed drilling Machine	1EA
12. Gas Automaic Cutting Machine	2EA
13. 16 Abrasive Wheel Cutting Machine	2EA
14. 6"hand Abrasive Wheel Machine	3EA
15. 4"hand Abrasive Wheel Machine	8EA
16. 400 A Electrical Welding Machine	10EA
17. CO2 Semi-Automatic Welding Machine	3EA
18. Ar Welding Machine Miller	2EA
19. Electrical Irom Cutting Machine	3EA
20. LAF 1000A	1EA
21. Ar Welding Machine(300A)	2EA
22. Ar Welding Machine(500A)	2EA

The equipment of R&D Room

1. CAD computer	10EA
2. Server	2EA
3. Deskjet Printer	5EA
4. Laser Printer	3EA



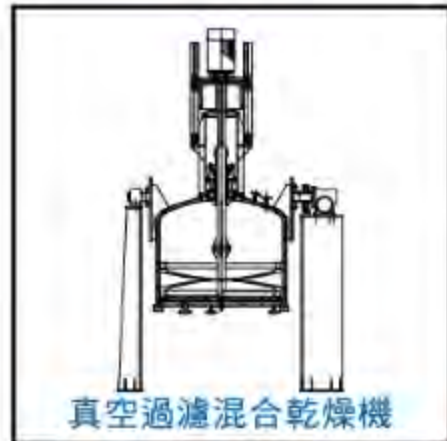
營業項目



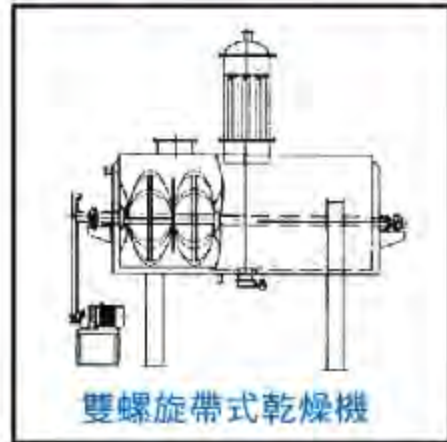
板式壓濾機



V型混合機



真空過濾混合乾燥機



雙螺旋帶式乾燥機

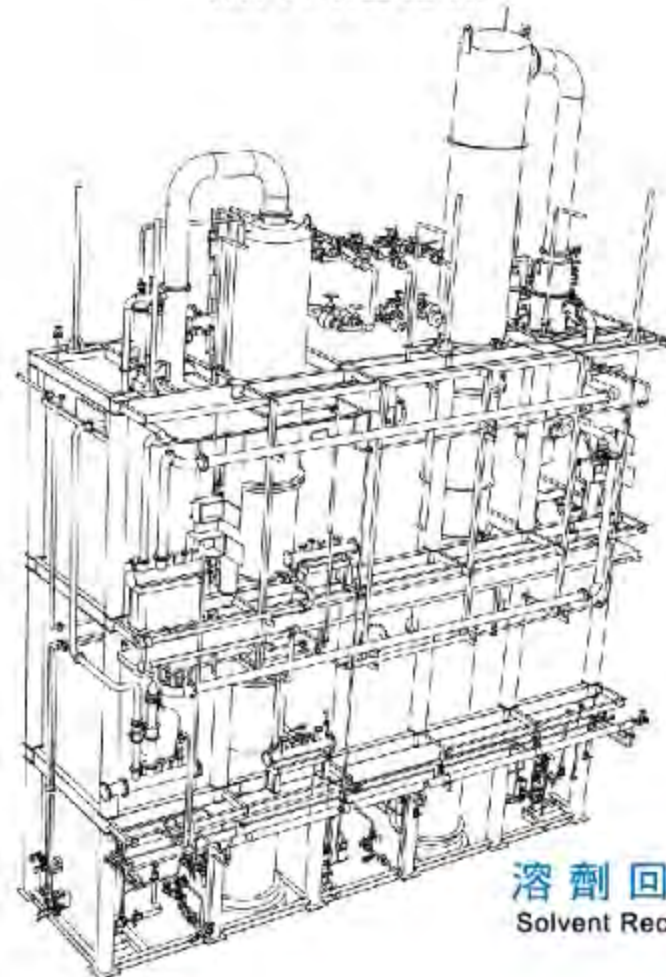


雙錐型真空迴轉乾燥機



反應槽

- 反應槽
- 熱交換器
- 儲槽塔槽運輸槽
- 蒸餾塔
- 廢水燃燒裝置
- 底排搔取式離心脫水機(可調速)
- 精密過濾機(PU, PET樹脂廠)
- 雙螺旋帶式真空乾燥機
- 旋帶式混合機
- 雙錐型真空迴轉乾燥機
- 雙錐型混合機
- 樹脂造粒機, 製片機
- 圓錐型乾燥機
- 葉片式過濾器

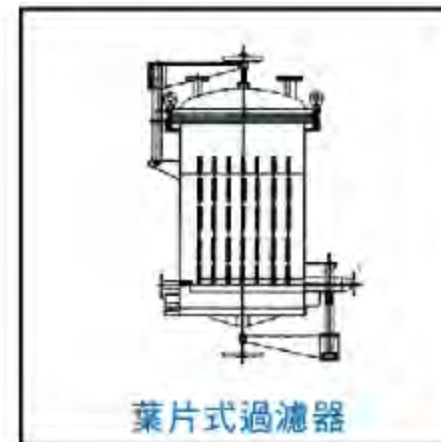


溶劑回收系統
Solvent Recovery System

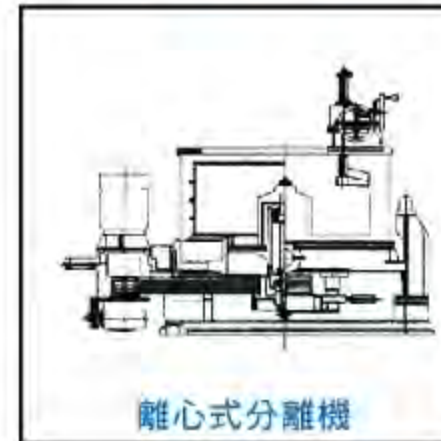
- Business Items**
- Reactor
 - Heat Exchanger
 - Storage Tank, Vessel, Lorry Tank
 - Distillation Tower
 - Waste Water Combustion
 - Bottom Discharge Centrifuger
 - Micro Filter (Polyester P U Resin)
 - Spiral Ribbon Vacuum Dryer
 - Ribbon Mixer
 - Double Cone Dryer
 - Double Cone Mixer
 - Rotoform System, Flaker System
 - Filtro Dryer
 - Nauta Dryer
 - Leaf Filter
 - Automation Solid Roller Deposit Machine
 - Conveying Vessel
 - Chemical Plant Turnkey



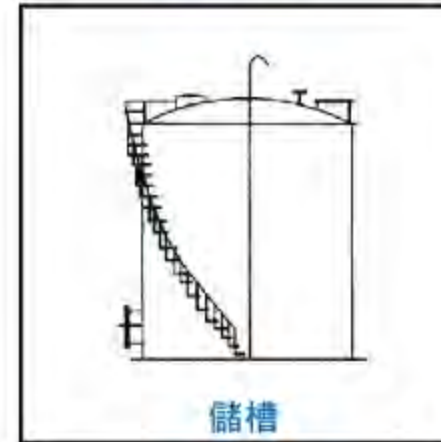
蒸餾塔



葉片式過濾器



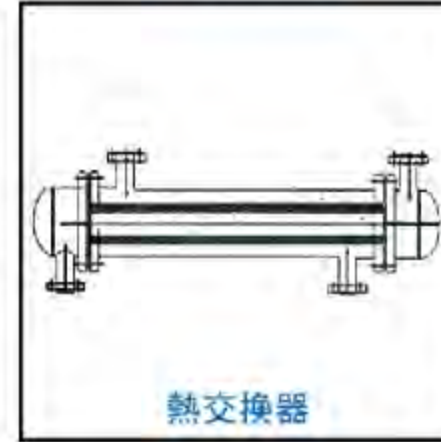
離心式分離機



儲槽



圓錐式乾燥機



熱交換器



製作項目：

1.反應裝置

一、夾套式反應槽

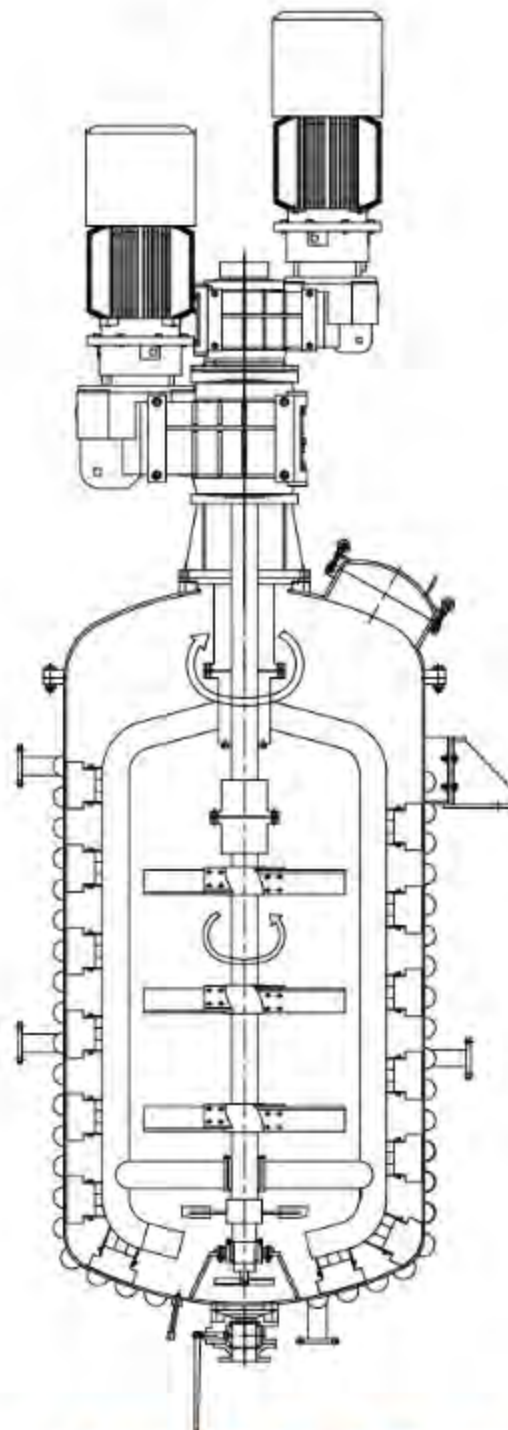
(30-50000L) 高壓、高真空、高黏度、等類要求設計制作，軸封選用機械軸封或填料軸封；攪拌葉片依物性及粘度，做合適的選擇內部拋光亮度要求依客戶指定施工。

二、蛇管式反應槽

(200L-60000L) 適用於高溫熱煤反應槽及高壓蒸氣反應。

運用範例：

PU樹脂、PET樹脂、尿素膠、Phenol樹脂、架橋劑、表面處理劑、抗氧化劑、氫化反應、蒸餾、結晶、攪拌溶解 ...



3.5KL 雙軸式反應槽

Production items :

Reaction Placement :

1. Jacket Type Reactor:

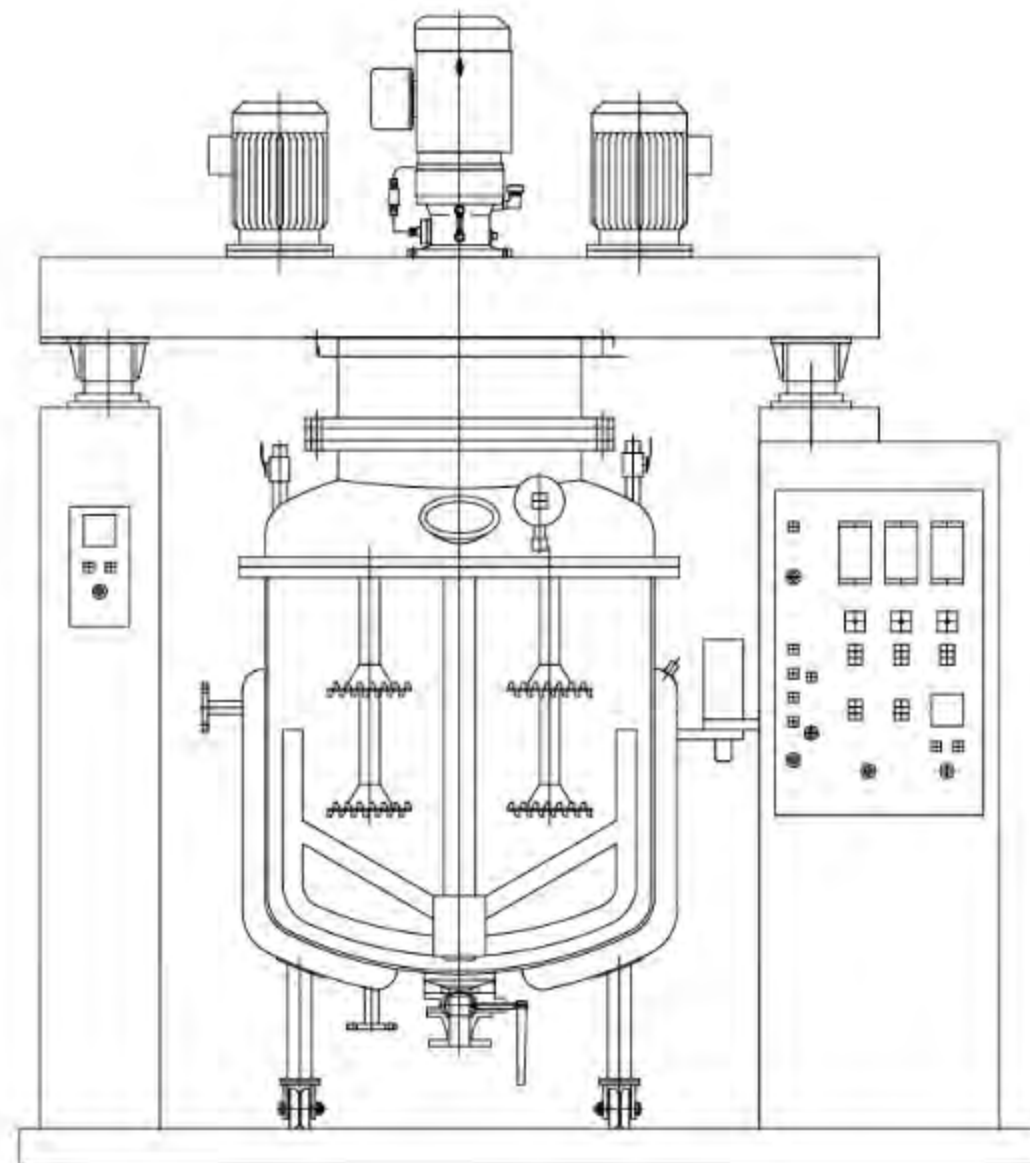
(30L-50000L)high pressure, high vacuum , high viscosity and many other purposes, and it is always equipped with high quality parts, such as shaft sealing , impeller etc...Various degree of internal polish are available upon request.

2. Snake form Reactor:

(200L-60000L)for the high temperature and pressure steam reaction.

Applications:

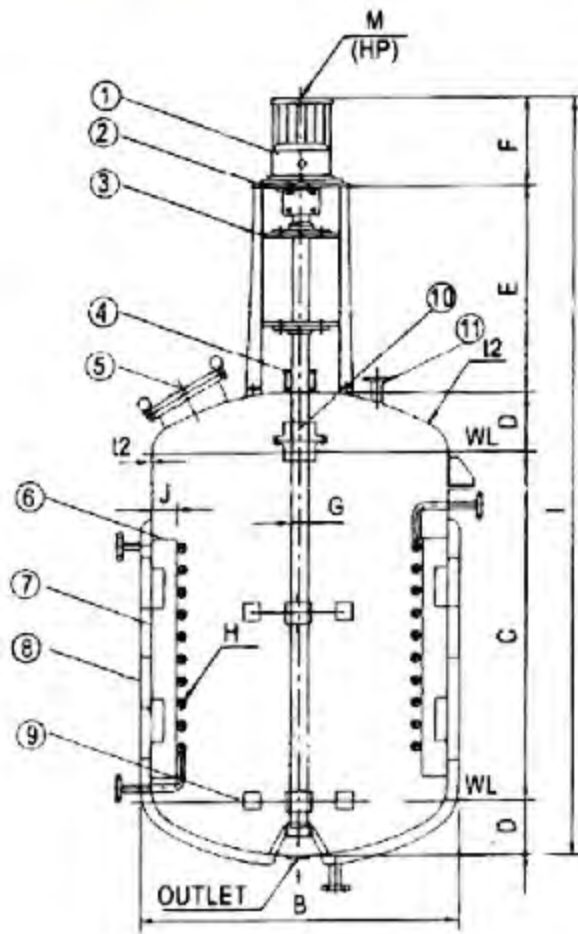
PU resin, PET resin , Urea Glue , Penol resin, the does of making bridge, the does of polishing management, the does of defy Oxidze, hydrogenize reaction , distillation, crystallize, blending, dissolving, The strcture drawings and specifications...



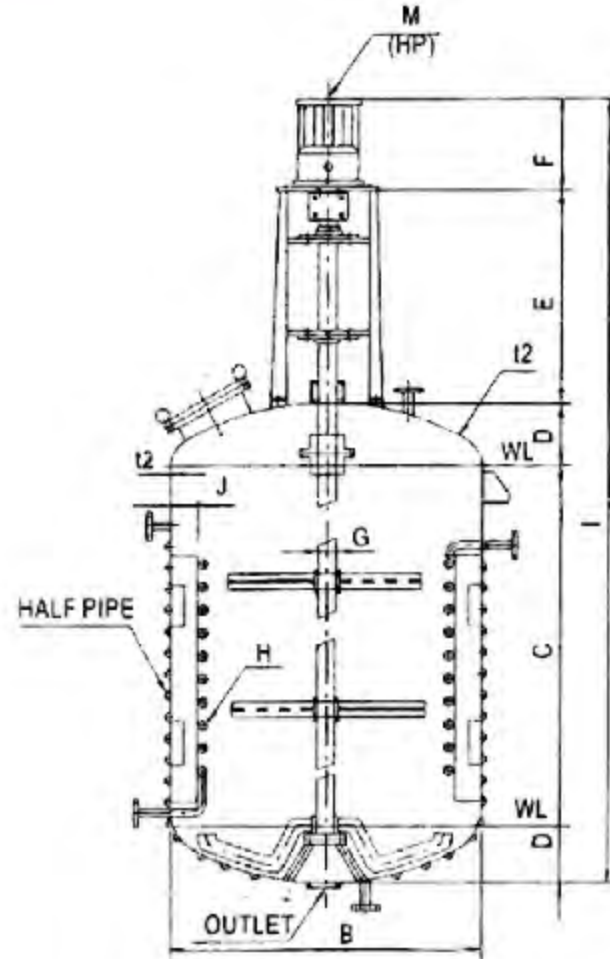
1KL 三軸式攪拌槽



構造圖 (STRUCTURE DIAGRAM)



JACKET TYPE
(夾套型)



HALF-PIPE TYPE
(半邊管型)

NOTE：軸對可選用雙機械軸對(DOUBLE MECHANICAL SEAL)

- 1.減速機馬達
REDUCING GEAR MOTOR
- 2.軸聯結器
COUPLING
- 3.軸承組
BEARING
- 4.填函組
STUFFING
- 5.人孔
MAN HOLE
- 6.擋板
BAFFLE PLATE
- 7.筒體
SHELL
- 8.加熱套
HEATING JACKET
- 9.攪拌翼
IMPELLER
- 10.管臺
NOZZLE
- 11.軸聯結器
COUPLING

規格表 (Specification)

項目 ITEM	全容量 TOTAL VOLUME	A	B	C	D	E	F	G	H	I	J	t2	t1	出口 OUTLET	動力 M	重量 WEIGHT
型式 MODEL	KQ	mm	mm	mm	mm	mm	mm	mm	mm	mm	mm	mm	mm	in	kw	kg
TR-0.5	0.5	770	900	1220	200	600	380	50	25	2580	60	6	6	2	2	1020
TR-1	1	970	1100	1520	250	600	390	55	25	3010	80	6	6	2	3	1420
TR-2	2	1250	1380	1830	320	800	520	60	40	3790	100	8	8	2 1/2	5	2050
TR-2.5	2.5	1400	1530	1830	350	900	520	70	40	3950	120	8	8	3	5	2600
TR-3	3	1700	1630	1830	380	1000	600	80	40	4190	120	10	8	3	7.5	3120
TR-5	5	1750	1880	2300	450	1200	720	90	50	5120	150	10	10	4	10	4150
TR-6	6	1940	2090	2300	500	1200	720	100	50	5220	150	10	10	4	10	4450
TR-7	7	1940	2090	2440	500	1200	720	110	50	5360	150	12	10	4	15	5150
TR-10	10	2200	2400	3050	600	1500	750	120	65	6500	150	12	12	4	20	6050
TR-12	12	2330	2530	3050	620	1600	800	120	65	6690	150	15	12	5	25	6800
TR-15	15	2600	2800	3050	700	1600	820	130	65	6870	150	15	12	5	30	7950

附註：除上述規格及尺寸外，可依實際使用情形，設計製造。

Remark: Besides of the above specifications & Dimensions, others can be designed and produced by orders.

攪拌葉型式：a. 馬蹄型 b. 傾斜透平型 c. 平透平型 d. 乳化透平型 e. 星狀型 f. A放射型葉 g. 標準三翼螺旋型 h. 平槳型
i. 柵型葉 j. 帶狀螺旋葉 k. 蝶型槳葉 i. B放射型葉



熱交換器

熱交換器可廣泛的應用於石化工業及一般食品，藥類、化學工業，其用途適用於冷卻，凝縮加熱，蒸發及發熱回收等廣泛範圍，因使用條件的不同，其容量、壓力、溫度等變動範圍也頗大因此為適應各種不同用途，就需有各種形式及構造之熱交換器，較具特徵之熱交換器本公司略述如下：

1.多管圓筒形熱交換器：此構造依管板〔TUBESHEET〕和殼〔SHELL〕的接合部之形式而分成：

- 一・固定管板式：
- 二・浮動頭式：
- 三・U字管式：

2.雙套管式熱交換器：應用於傳熱面積 $20M^2$ 以下的設計條件。
適用於低壓或低危險性流體。

3.單管式熱交換器：應用於傳熱面積 $20M^2$ 以下的設計條件，
適用於高壓或高危險性流體。

4.鰭管式熱交換器：適用於氣體及熱源之交換。



The Heat Exchanging Utensil

It is suitable for heating, retrieving of steam and scrap heat, and it has been widely used in the field of petrochemical, food, medical and chemical industrial.

Due to the various applications, it is necessary to have different designing in its form and structure according to the requested pressure and temperature.

Several types of special heat exchanging utensils, have been developed successfully, are listed as follows;

1.Round-pipes heat exchanging utensil:

Its structure is combined with tubesheet and shell:

- (1)Fixed Tubesheet Form:
- (2)Floated Top Form:
- (3)U-tube Form:

2.Jacket-pipes's form of the heat exchanging utensil:

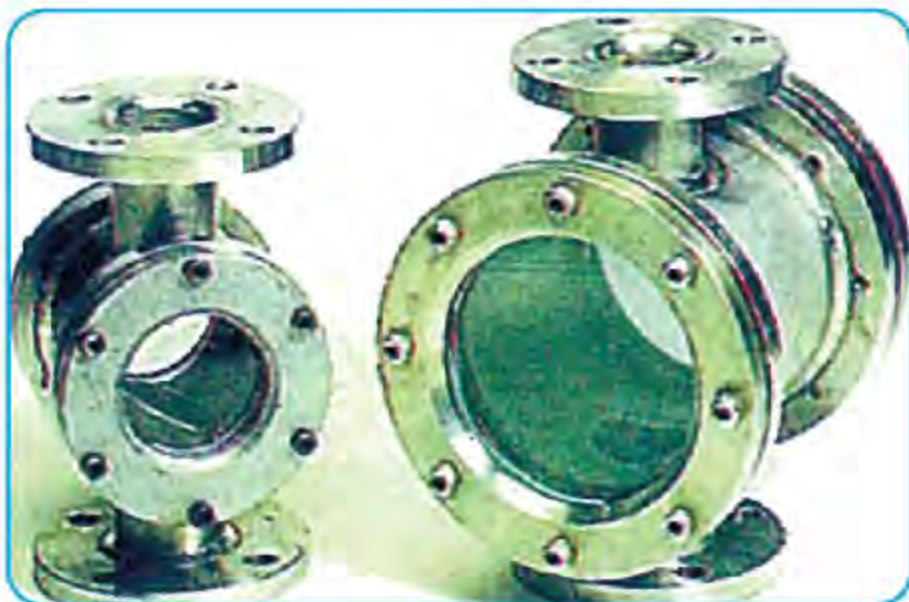
It can transmit the heat on the designing term under $20M^2$ area. It's suitable for the low pressure or less dangerous fluid.

3.Single-pipe form of the heat exchanging utensil:

It can transmit the heat on the designing term under $20M^2$ area. It's suitable for the high pressure or dangerous fluid.

4.Fin pipe form of the heat exchanging utensil:

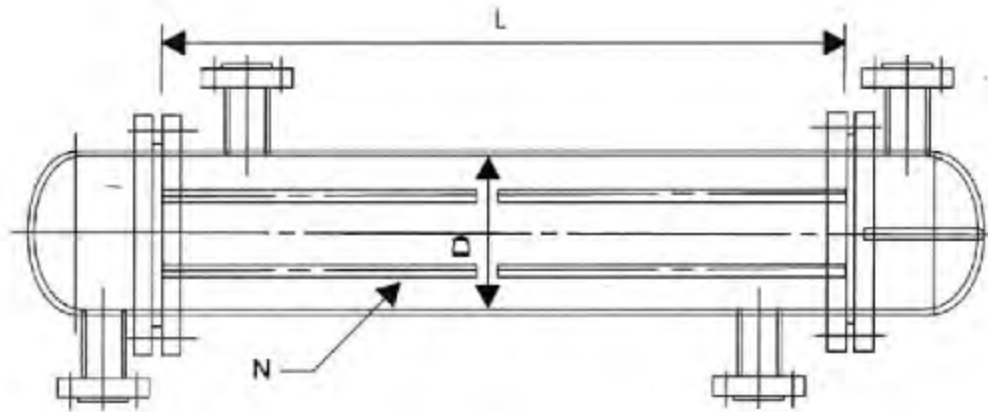
It's suitable for gas.



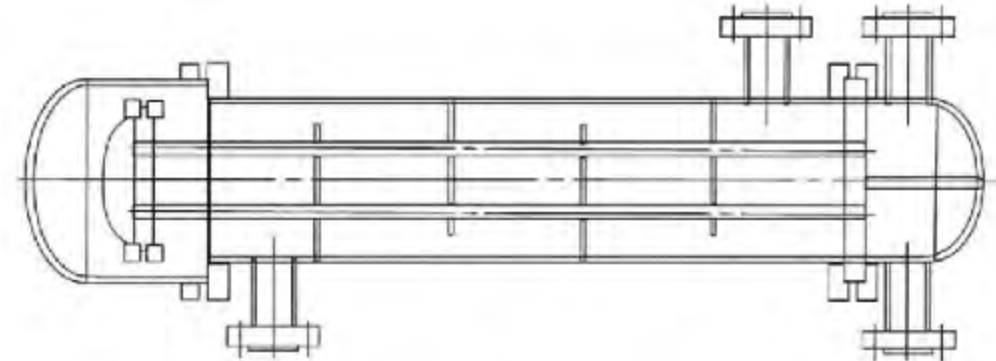
視孔玻璃 SIGHT GLASS



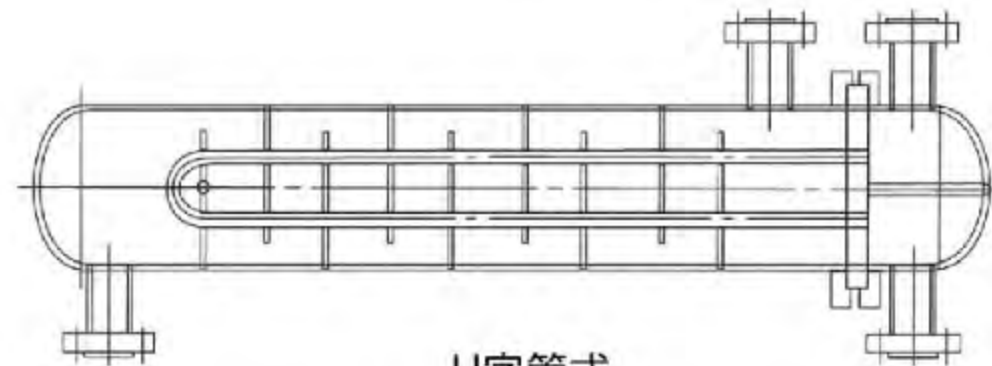
構造圖 (STRUCTURE DIAGRAM)



固定管板式
FIXED TUBE SHEET TYPE



浮頭式
FLOATING HEAD TYPE



U字管式
U-TUBE TYPE

NOTE:TUBE 材質可選用(SUS 304或SUS 316)

標準型式規格表(SPECIFICATIONS AND DIMENSIONS)

MAX M ² 管 TUBE	N=19.0mm		N=25.4mm	
	L=3000mm		L=3000mm	
	胴體 SHELL(D)	Q'TY	AREA	Q'TY
8B	32	5.7	19	4.5
10B	58	10.3	31	7.4
12B	99	17.7	56	13.4
14B	131	23.5	79	18.9
16B	162	29	92	22
450	240	43	139	33.2
500	300	53.7	169	40
550	370	66.2	211	50.5
600	444	79.4	275	65.8

MAX M ² 管 TUBE	N=19.0mm		N=25.4mm	
	L=3000mm		L=3000mm	
	胴體 SHELL(D)	Q'TY	AREA	Q'TY
650	528	94.5	322	77
700	638	114.2	392	93.8
750	704	126	427	102
800	804	143.9	463	111
850	913	163.4	555	132.8
900	1036	185.4	615	147.2
950	1162	208	689	164.9
1000	1265	226.4	735	176
1100	1580	279.2	919	220

附註：除上述規格及尺寸外，可依實際使用情形，設計製造。

Remark: Besides of the above specifications & Dimensions, others can be designed and produced by orders.

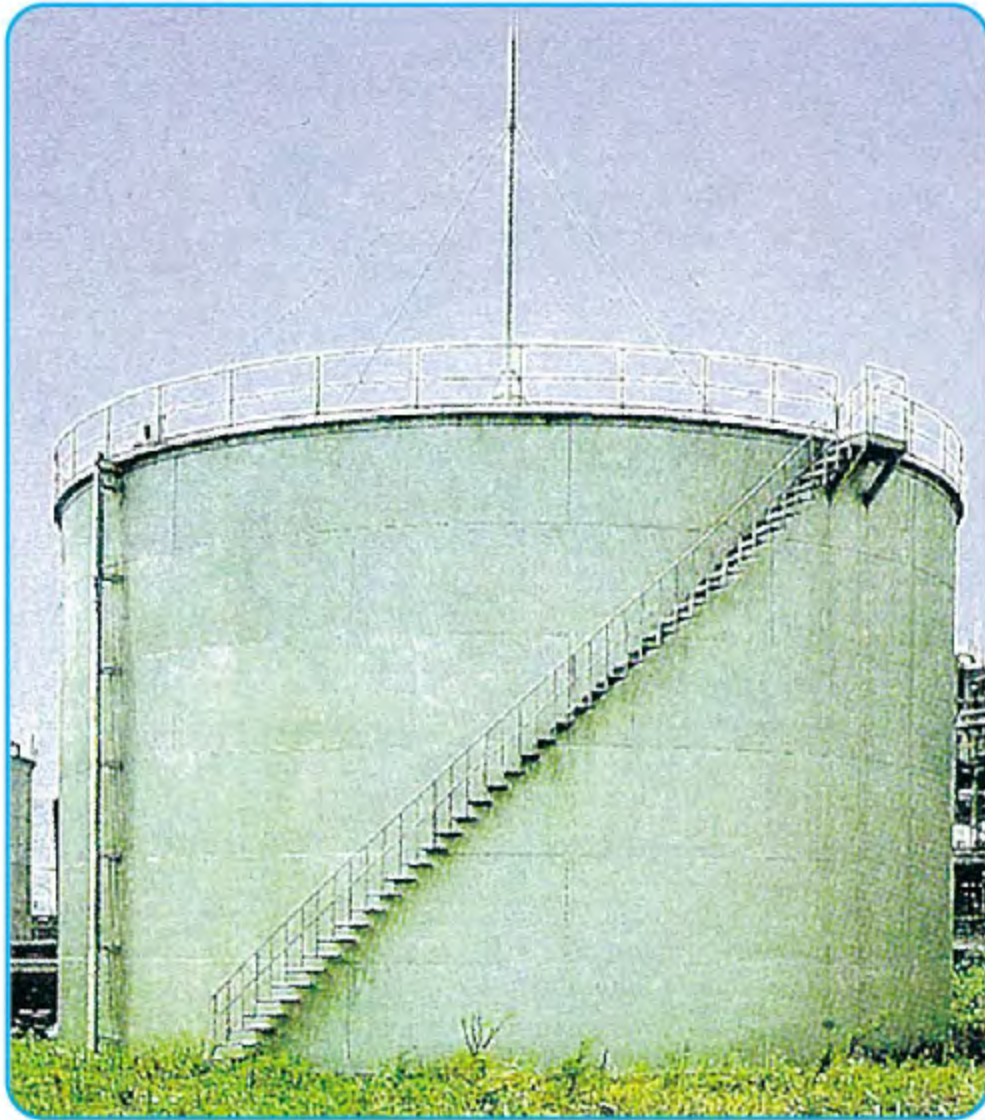


臺灣迪肯特股份有限公司

通過ISO9001國際認證

儲槽 塔槽 運輸槽

STORAGE TANK VESSEL LORRY TANK

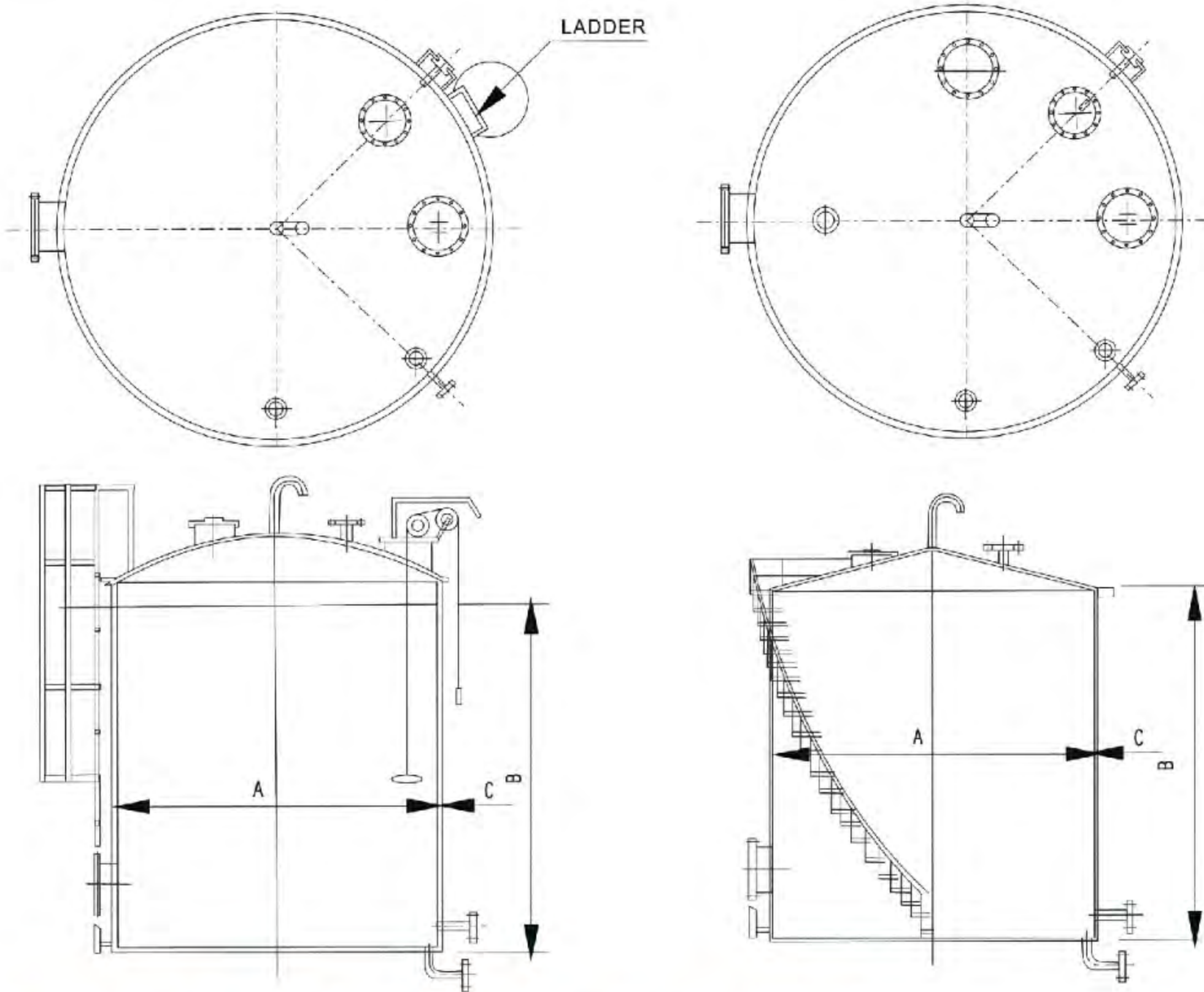


地址：新竹縣新豐鄉新豐村1鄰紅毛23-12號
No.23-12, HongMao, 1st Neighborhood, Sinfong Village,
Sinfong Township, HsinChu County, 30472, Taiwan(R.O.C.)

TEL 886-3-5686800
FAX 886-3-5680390
E-MAIL decanter@ms10.hinet.net



構造圖 (STRUCTURE DIAGRAM)



標準型式規格表(SPECIFICATIONS AND DIMENSIONS)

MODEL	VOLUME	A (DIAMETER)	B (HEIGHT)	C (THICK'S)
TD-01	1KL	970	1524	3
TD-4.5	4.5KL	1550	2440	4.5
TD-9	9KL	1940	3048	4.5
TD-13	13KL	2420	3048	4.5
TD-15	15KL	2325	3660	4.5
TD-20	20KL	2904	3048	6
TD-30	30KL	2904	4572	6
TD-40	40KL	3390	4572	6
TD-50	50KL	3390	6096	6
TD-70	70KL	3880	6096	8
TD-90	90KL	3880	7630	8
TD-110	110KL	4360	7630	8

MODEL	VOLUME	A (DIAMETER)	B (HEIGHT)	C (THICK'S)
TD-140	140KL	4840	7630	8
TD-170	170KL	5330	7630	8
TD-200	220KL	5330	9150	9
TD-240	240KL	5820	9150	9
TD-330	330KL	6785	9150	9
TD-430	430KL	7755	9150	9
TD-540	540KL	8730	9150	10
TD-630	630KL	8730	10670	12
TD-1250	1250KL	11630	12200	12
TD-2000	2000KL	14500	12200	15
TD-2500	2500KL	14500	15200	15
TD-3000	3000KL	15520	16700	15

附註：除上述規格及尺寸外，可依實際使用情形，設計製造。

Remark: Besides of the above specifications & Dimensions, others can be designed and produced by orders.



實際案例

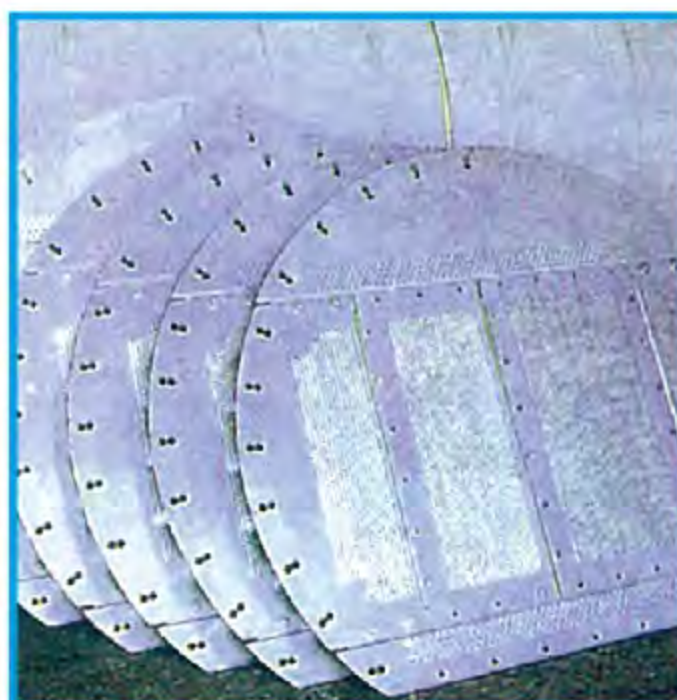
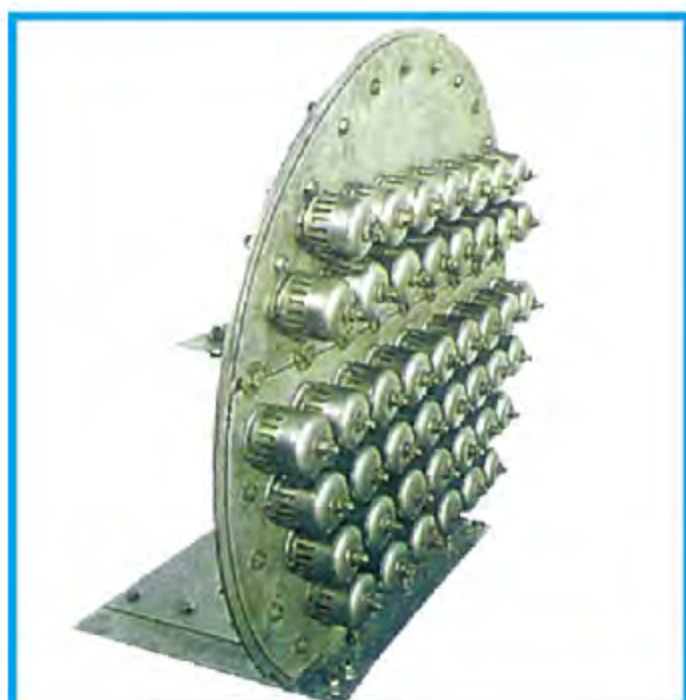
- 〈1〉 甲醇回收塔(Methanol Recovery Tower)
- 〈2〉 乙醇蒸餾塔(ETHANOL Distillation Column)
- 〈3〉 異丙醇脫水塔(ISO -Propanol Dshydration Tower)
- 〈4〉 丁酮-甲苯-二甲基乙胺分離純化
(MEK,Toluene,Dimethylformamide)
- 〈5〉 苯甲酸純化(Benzoic Acid)
- 〈6〉 醋酸、乙酯純化(Ethyl Acetate)
- 〈7〉 二甲苯純化(Xylene)
- 〈8〉 DMF回收
- 〈9〉 NMP,DEG 回收純化



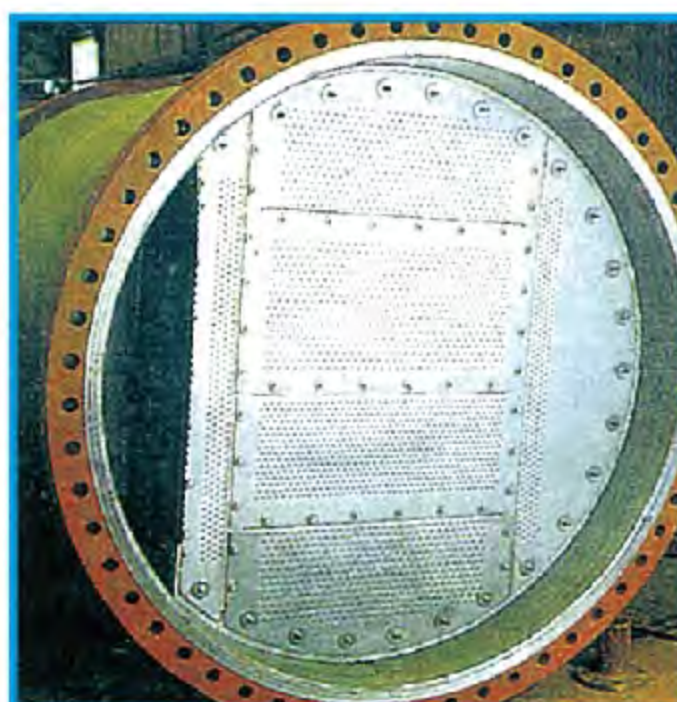
STRUCTURED PACKING



DISTILLATION TOWER



BUBBLE CAP TRAY



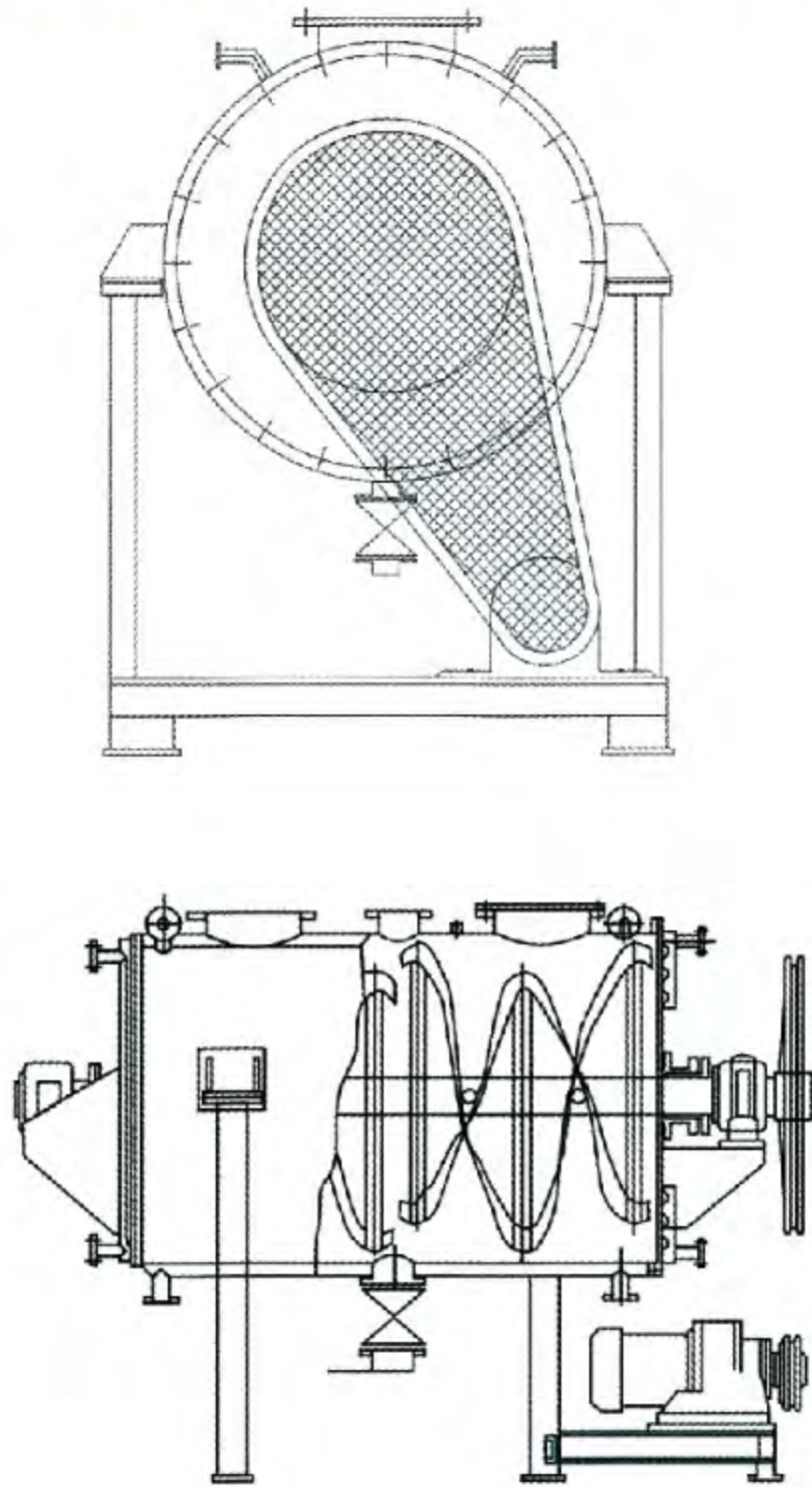
SIEVE TRAY

地址：新竹縣新豐鄉新豐村1鄰紅毛23-12號
No.23-12,HongMao,1st Neighborhood, Sinfong Village,
Sinfong Township, HsinChu County,30472,Taiwan(R.O.C.)

TEL 886-3-5686800
FAX 886-3-5680390
E-MAIL decanter@ms10.hinet.net



構造圖 (STRUCTURE DIAGRAM)



標準型式規格表(SPECIFICATIONS AND DIMENSIONS)

項目 ITEM	型式 MODLE	DRM-60	DRM-100	DRM-300	DRM-500	DRM-800	DRM-1000	DRM-1500	DRM-2500	DRM-5000
全容量 TOTAL VOLUME	Q	88	165	420	810	1170	1535	2180	3645	7385
操作容量 WORKING VOLUME	Q	60	100	300	500	800	1000	1500	2500	5000
A	mm	1150	1350	1750	2050	2150	2750	2850	3100	4000
B	mm	950	1000	1100	1150	1360	1400	1480	1750	2100
C	mm	1250	1300	1500	1900	2000	2000	2100	2350	2700
H	mm	600	600	600	800	800	800	800	1000	1000
回轉數	R.P.M	68	60	52	43	38	33	28	23	18
標準動力 POWER	KW	0.75	0.75-1.5	2.2-3.7	3.7-7.5	5.5-11	7.5-15	11-22	11-37	22-55

附註：除上述規格及尺寸外，可依實際使用情形，設計製造。

Remark: Besides of the above specifications & Dimensions, others can be designed and produced by orders.



構造圖 (STRUCTURE DIAGRAM)



特點：

1. 三機一體，降低設備成本、製程成本。
2. 過濾、混合、乾燥一次完成，可避免製程中不必要的人力搬移及品質污染。
3. 精簡廠房空間，節省人力操作及作業環境的改善。

特性：

1. 採用機械軸封，密封效果佳。
2. 攪拌軸可升降操作，增加製程效果，減少動力損耗。
3. 配合油壓系統，操作簡便、保養容易。
4. 排料完全、無死角。
5. 簡易更換濾布或清洗濾網。

用途：

醫藥品、特用化學品、染料、顏料、污泥、廚餘等。

Advantages:

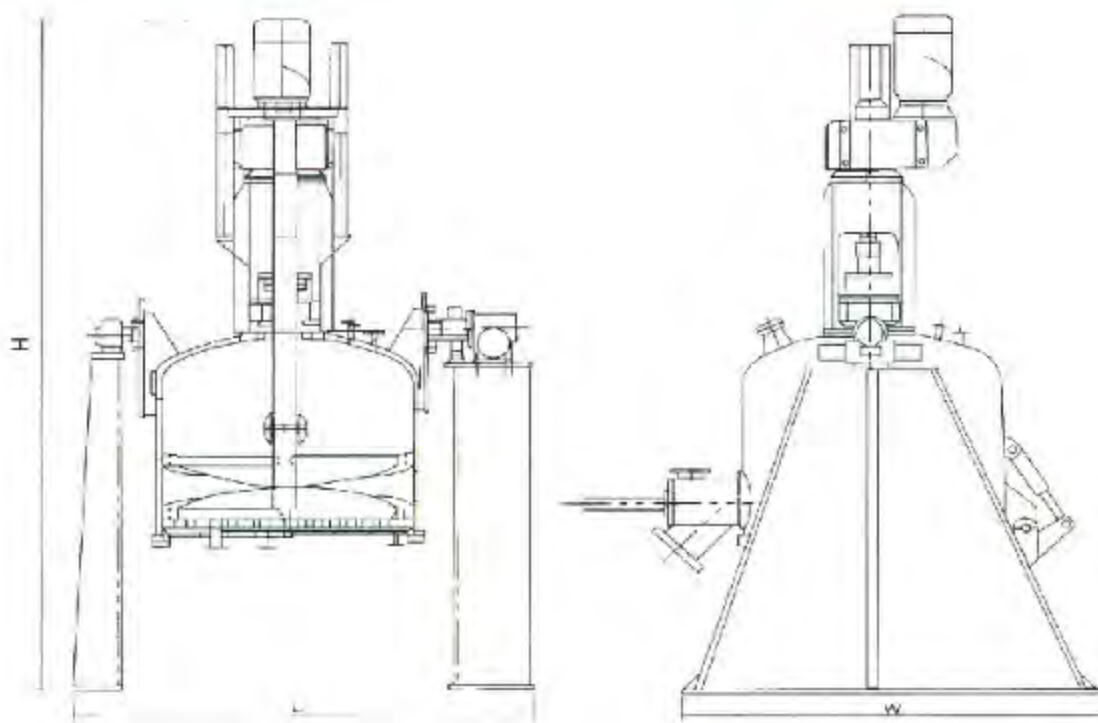
1. 3 in 1 process, reducing the investment cost and the manufacture cost.
2. Filtration, mixing and drying complete in one process, saving manpower handling and eliminating the contamination to product quality.
3. Less space need, less labour force and improving working environment, safety and hygiene.

Mechanical features :

1. Excellent lead-proof by using mechanical seal.
2. Agitator with lifting mechanism enhancing productivity and saving energy.
3. Hydraulic system, easy handling and maintenance.
4. No dead conner, complete discharge.
5. Easily change of filter or cleaning filter.

Applications:

Pharmaceutical manufacture, fine chemical, dye stuff, pigments, sludge, kitchen residues, etc.

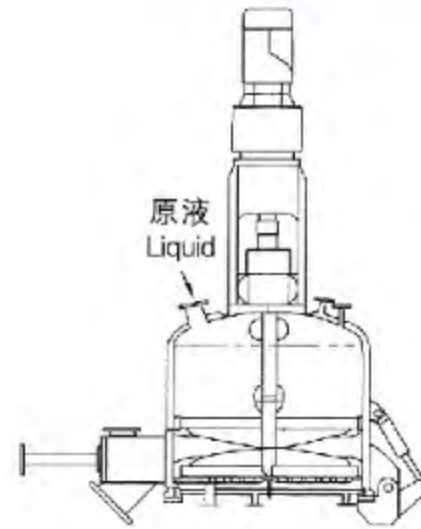


此架臺高度排料時排料口離地面高度約310m/m

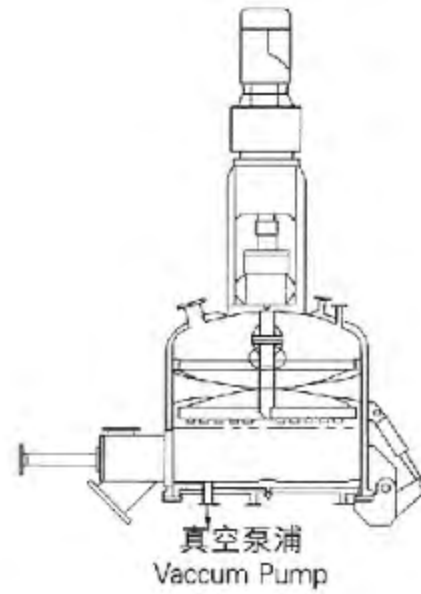
型式 MODEL	容量 VOLUME	處理量 CAPACITY	過濾面積 FILTER AREA	動力 POWER	油壓總承 OIL UNIT	外型尺寸 DIMENSIONS(m/m)
FD-600	600 liter	250 liter	0.87 m ²	10HP-4P	2HP-4P	2250L x 1940W x 3740H
FD-1200	1200 liter	450 liter	1.33 m ²	15HP-4P	3HP-4P	2540L x 2300W x 4105H
FD-1600	1600 liter	600 liter	1.77 m ²	20HP-4P	3HP-4P	2750L x 2510W x 4430H

地址：新竹縣新豐鄉新豐村1鄰紅毛23-12號
No.23-12,HongMao,1st Neighborhood, Sinfong Village,
Sinfong Township, HsinChu County,30472,Taiwan(R.O.C.)

TEL 886-3-5686800
FAX 886-3-5680390
E-MAIL decanter@ms10.hinet.net



【入料、攪拌】
【Feed、Stirring】



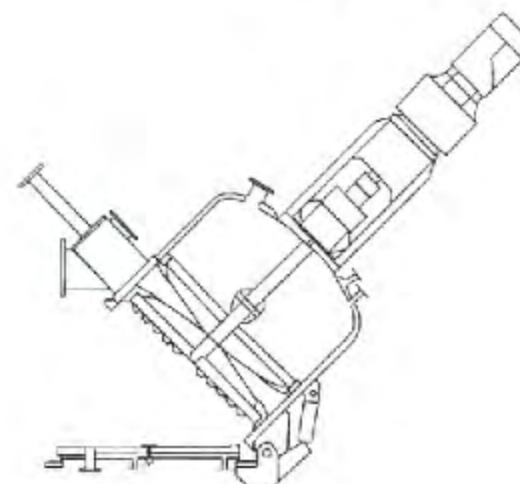
【過濾、攪拌】
【Filtering、Stirring】



【乾燥、混合】
【Drying、Mixing】



【排料】
【Discharging】



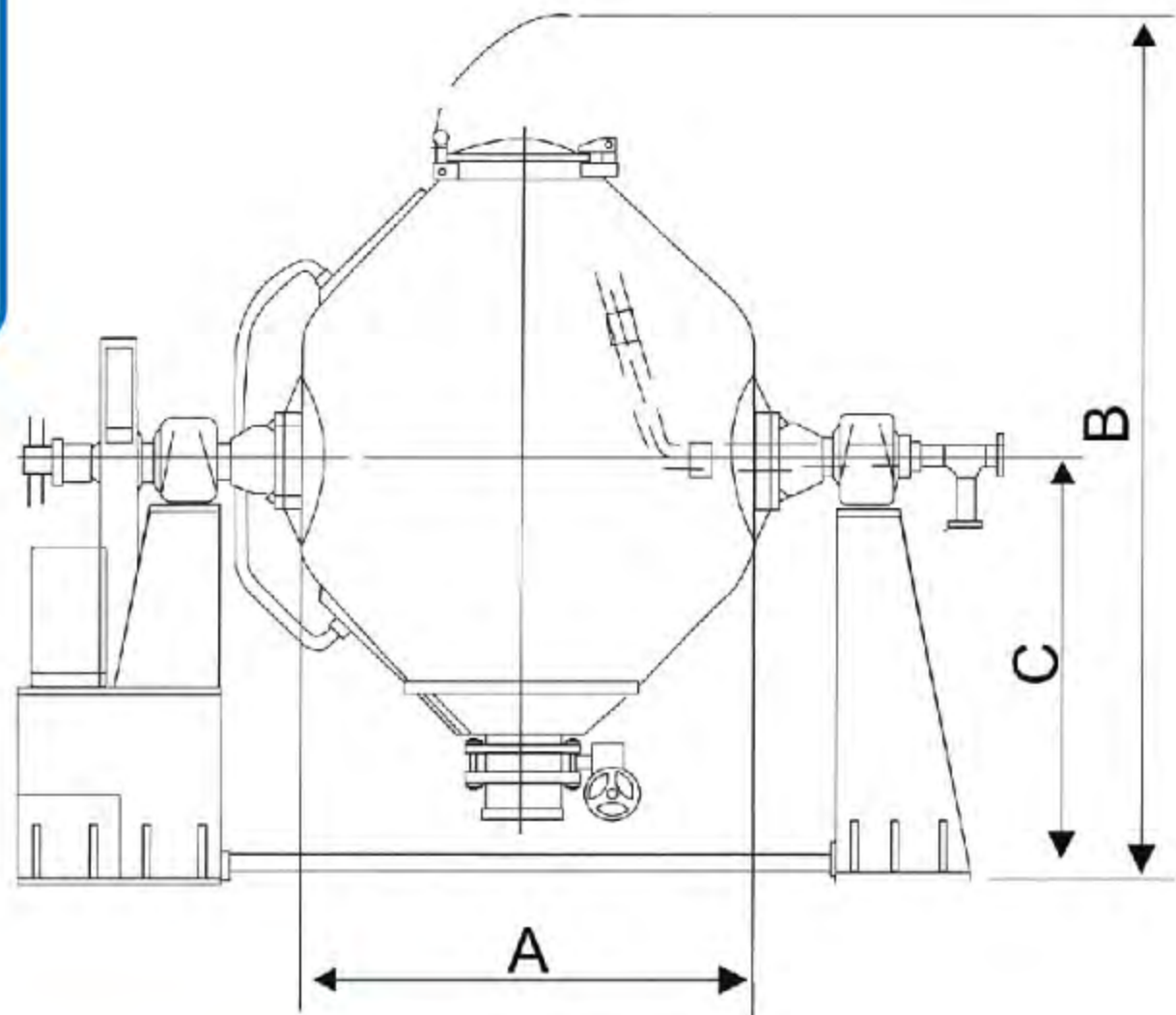
【更新濾網】
【Changing Filter】

附註：除上述規格及尺寸外，可依實際使用情形，設計製造。

Remark: Besides of the above specifications & Dimensions, others can be designed and produced by orders.



構造圖 (STRUCTURE DIAGRAM)



標準型式規格表(SPECIFICATIONS AND DIMENSIONS)

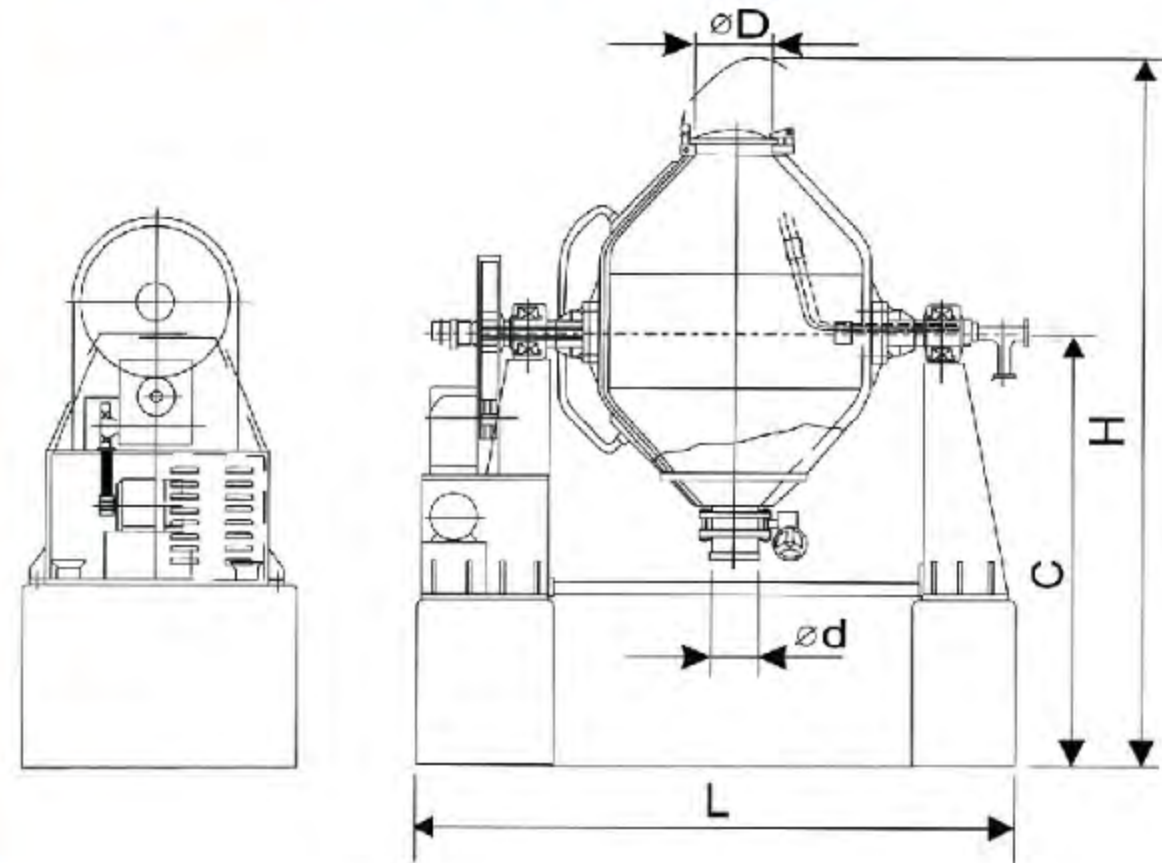
項目 ITEM	型式 MODLE	DRM-6	DRM-10	DRM-15	DRM-20	DRM-35	DRM-50	DRM-70	DRM-100
全容量 TOTAL VOLUME	L	1180	1790	2350	3200	5255	10640	13840	18510
操作容量 WORKING VOLUME	L	600	1000	1500	2000	3500	5000	7000	10000
A	mm	1370	1580	1770	1925	2275	2980	3245	3570
B	mm	1945	2285	2435	2845	3425	4165	4605	5130
C	mm	2800	3140	3650	3755	4355	5520	5960	6485
動力 POWER	Kw	2.2	2.2	3.7	3.7	5.5	7.5	11	11
重量 WEIGHT	Kg	850	950	1020	1150	1400	2600	3900	3300

附註：除上述規格及尺寸外，可依實際使用情形，設計製造。

Remark: Besides of the above specifications & Dimensions, others can be designed and produced by orders.



構造圖 (STRUCTURE DIAGRAM)



標準型式規格表(SPECIFICATIONS AND DIMENSIONS)

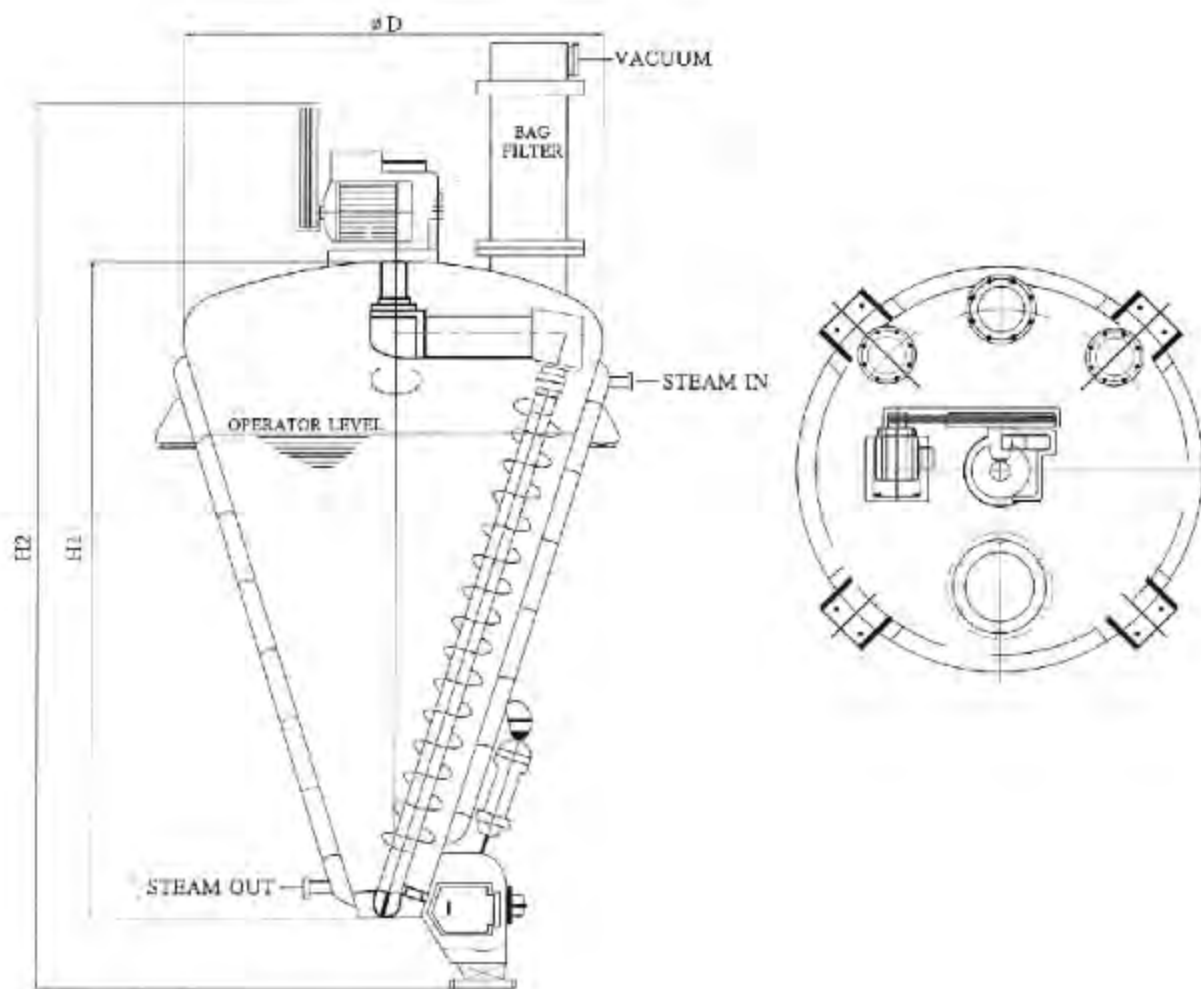
項目 型式 ITEM MODLE	全容量 TOTAL VOLUME Q	加熱面積 HEATING AERA M	迴轉數 R.P.M MAX.R/M		L mm	H mm	C mm	φ D mm	φ d mm
DVD-20	200	1.5	12	0.75	2500	2100	1200	8B	8B
DVD-60	600	3.3	8	8	2850	3730	1500	450	10B
DVD-120	1200	5.4	7	2.2	3500	2880	1500	450	10B
DVD-200	2000	8.57	6	3.7	4100	3000	1500	450	10B
DVD-300	3000	10.15	6	5.5	4500	3300	1600	450	10B
DVD-400	4000	12.46	5	7.5	5000	3520	1700	450	10B
DVD-550	5500	15.46	5	11	5500	3770	1800	450	10B
DVD-700	7000	18.2	5	11	5700	4020	1950	450	10B
DVD-900	9000	21.0	4	15	6000	4300	2100	450	10B
DVD-1500	15000	30.8	4	22	7000	4950	2400	450	10B

附註：除上述規格及尺寸外，可依實際使用情形，設計製造。

Remark: Besides of the above specifications & Dimensions, others can be designed and produced by orders.

地址：新竹縣新豐鄉新豐村1鄰紅毛23-12號
No.23-12, HongMao, 1st Neighborhood, Sinfong Village,
Sinfong Township, HsinChu County, 30472, Taiwan (R.O.C.)

TEL 886-3-5686800
FAX 886-3-5680390
E-MAIL decanter@ms10.hinet.net



型式 MODEL	全容量 VOLUME	操作量 CAPACITY	主動力 MAIN POWER	副動力 SCREW POWER	外型尺寸 DIMENSIONS(m/m)			重量 WEIGHT
					D	H1	H2	
NX-6	1300 liter	600 liter	7-1/2HP-6P	- - -	1500	2265	3265	1150kgs
NX-10	2100 liter	1000 liter	7-1/2HP-6P	- - -	1700	2635	4025	1250kgs
NX-15	3000 liter	1500 liter	10HP-4P	2HP-1/29	1920	2985	3630	1350kgs
NX-20	4000 liter	2000 liter	10HP-4P	2HP-1/29	2080	3265	4300	1450kgs
NX-30	6000 liter	3000 liter	15HP-4P	2HP-1/29	2360	3760	4800	2450kgs
NX-40	8000 liter	4000 liter	20HP-4P	2HP-1/29	2765	4485	5785	2650kgs
NX-50	10000 liter	5000 liter	25HP-4P	3HP-1/43	2920	4765	6065	3100kgs
NX-60	12000 liter	6000 liter	25HP-4P	3HP-1/43	3060	5420	6720	3300kgs
NX-70	14000 liter	7000 liter	25HP-4P	3HP-1/43	3185	5235	6535	3550kgs
NX-100	18500 liter	10000 liter	30HP-4P	3HP-1/43	3500	5780	7080	3900kgs

特性

- 利用螺旋葉自轉及公轉之原理可迅速混合。
- 攪拌均勻混合效果佳。
- 混合過程中粉體不易損壞。
- 所需動力小。
- 排料容易無死角。
- 保養容易清洗方便。
- 夾套可依操作所需改為半邊管。

features

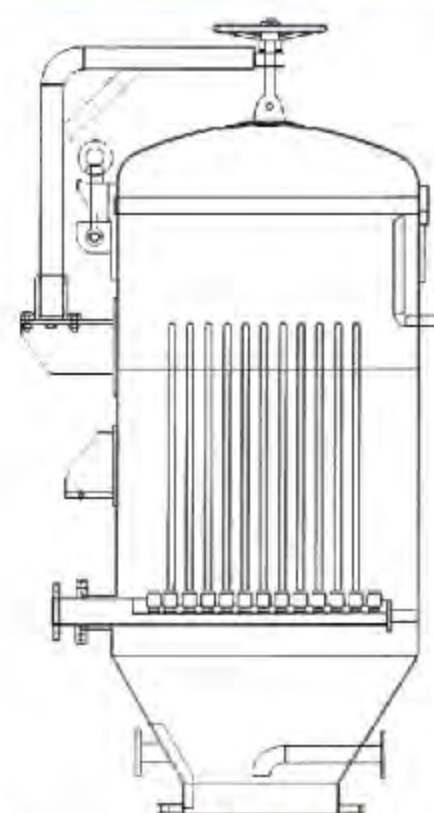
- Tapered screw that revolving and rotating decreases the blending time.
- Improving the efficiency of the blender.
- Blending without damaging the particle geometry of powder and granules.
- Discharging without dead corner
- Maintenance and cleaning convenience.
- Jacket design can be change to halftubes upon request.

用途

- 醫藥品、特化品、食品、染料、顏料、樹脂、飼料等。

application

- Pharmaceuticals, fine chemicals, food, dyestuff pigments, resin and feedstuff, etc.



主要規格和技術參數
Main specifications and technical parameters

型號 Model	過濾面積 (m ²) Filter area (m ²)	濾餅體積 (L) Cake volume (Litres)	處理能力(T/H) Filtering capability(T/H)			工作壓力(Mpa) Working pressure(Mpa)		工作溫度 (°C) Working Temperature (°C)	過濾缸容積 (L) Volume of filter tank (L)	主機容量 (kg) Weight of filter body (kg)
			油脂 oil	樹脂 Resin	飲料 Beverage	額定壓力 Rated Pressure	最高壓力 Maximum Pressure			
LF-2	2	30	0.4-0.6	1-1.5	1-3	0.1-0.4	0.5	<150	120	300
LF-4	4	60	0.5-1.2	2-3	2-5				250	400
LF-7	7	105	1-1.8	3-6	4-7				420	600
LF-10	10	150	1.6-3	5-8	6-9				800	900
LF-12	12	240	2-4	6-9	8-11				1000	1100
LF-15	15	300	3-5	7-12	10-13				1300	1300
LF-20	20	400	4-6	9-15	12-17				1680	1700
LF-25	25	500	5-7	12-19	16-21				1900	2000
LF-30	30	600	6-8	14-23	19-25				2300	2500

※以上數據僅供參考。(特殊尺寸可另行訂作)

主要用途和適用範圍

- **油脂**：原油、漂土、氫化油，冬化油、硬脂脂肪酸等。
- **飲料**：啤酒、果汁、酒類、牛奶等。
- **油漆和清漆**：樹脂類、清漆、染料、真漆等。
- **食品**：明膠、醋、淀粉、糖汁、甜水等。
- **礦產**：煤屑、煤渣等。
- **石油化工產品**：柴油、潤滑油、石蠟、礦物油產品等。
- **有機化學品**：各種有機酸、醇、酯、苯、醛等。
- **無機化學品**：溴水、氰化鉀、氟石等。
- **醫藥**：雙氧水、維生素等。
- **其他**：空氣、水的淨化等。

Major Uses and Application Scope

- Oil industry : crude oil, bleached soil, hydrogenated oil, stearin, fatty acid, etc.
- Beverage : beer, juice, wine, milk, etc.
- Paint : resin, varnish, dye lacquer, etc.
- Foodstuff : gelatin, vinegar, starch, syrup, sugar water, etc.
- Mineral products : fine coal, cinder, etc.
- Petroleum chemical products : diesel oil, lubricating oil, paraffin wax, mineral oil, etc.
- Organic chemical products : organic acid, alcohol, ester, benzene, alcohol aldehyde, etc.
- Inorganic chemical products : bromine water, potassium cyanide, fluorite, etc.
- Pharmaceutical products : hydrogen peroxide solution, vitamin, etc.
- Other : purification of air, water, etc.

地址：新竹縣新豐鄉新豐村1鄰紅毛23-12號
No.23-12, HongMao, 1st Neighborhood, Sinfong Village,
Sinfong Township, HsinChu County, 30472, Taiwan(R.O.C.)

TEL 886-3-5686800
FAX 886-3-5680390
E-MAIL decanter@ms10.hinet.net



精密過濾機(MICRO FILTER)



單片型板式壓濾機 (PRESSURE FILTER)
(VACUUM TYPE)

型號	層數 (Layers)	PUMP馬力
M-1	10	1/2HP
M-2	20	1-2HP



PU樹脂 (PU RESIN)



PET樹脂 (PET RESIN)

地址：新竹縣新豐鄉新豐村1鄰紅毛23-12號
No.23-12,HongMao,1st Neighborhood, Sinfong Village,
Sinfong Township, HsinChu County,30472,Taiwan(R.O.C.)

TEL 886-3-5686800
FAX 886-3-5680390
E-MAIL decanter@ms10.hinet.net



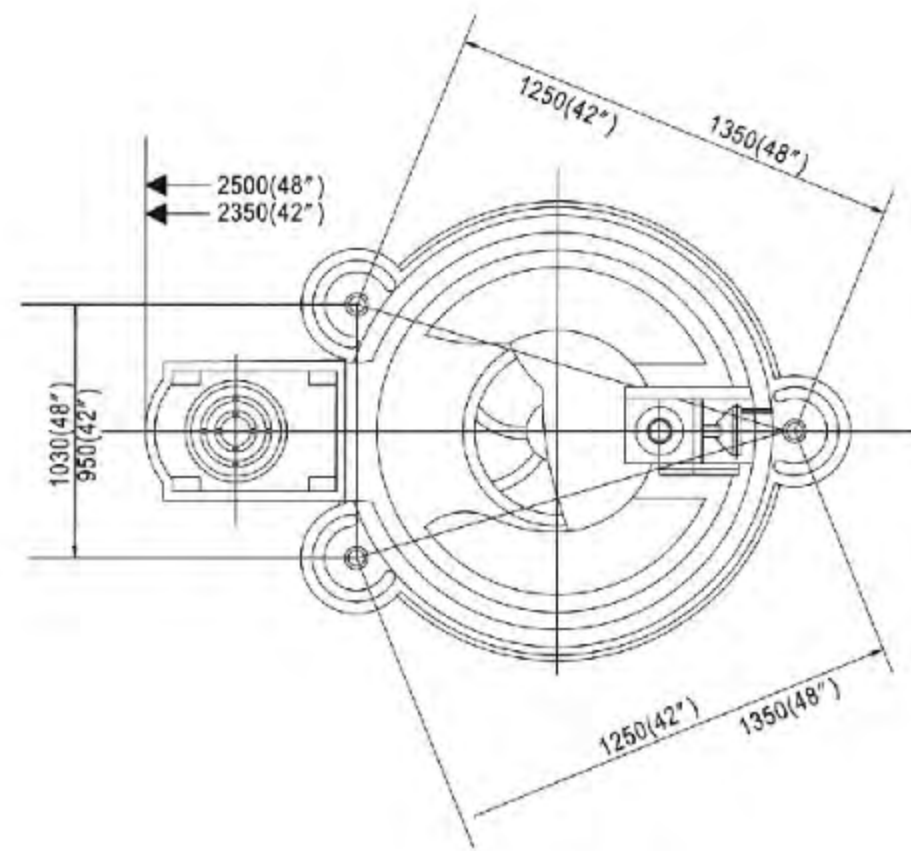
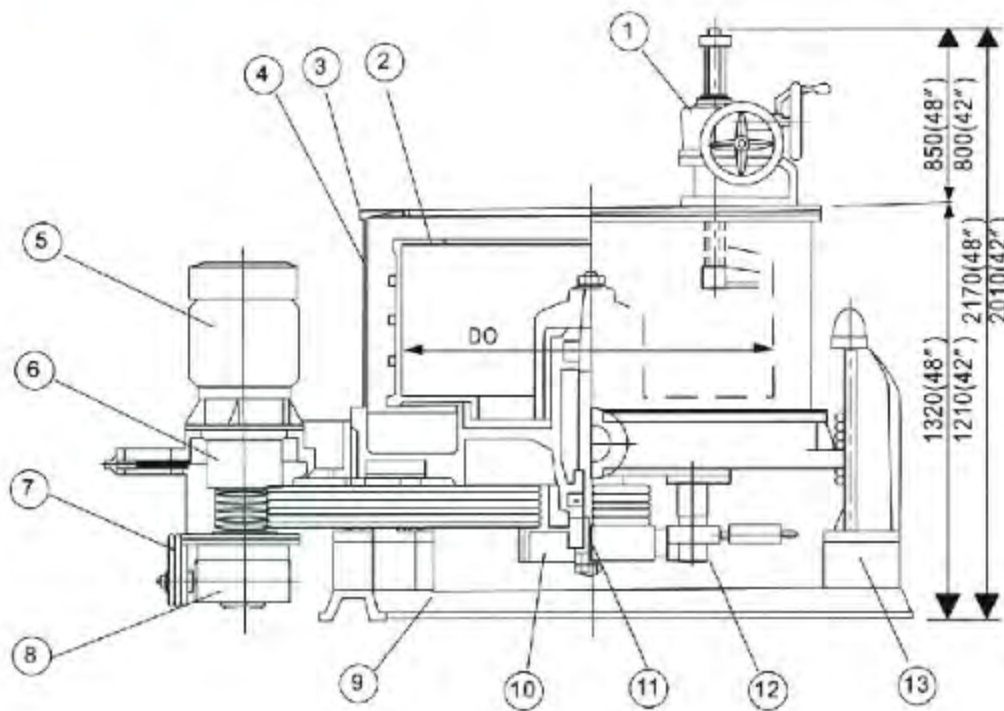
BOTTOM-DISCHARGE
SCRAPING-TYPE CENTRIFUGES
(VARIABLE)

底排搔取式離心機 (可調速) 特性:

可調速 (0-1000RPM)操作，可以減少因下料不均，而產生震動。

構造圖 (STRUCTURE DIAGRAM)

- 1. 搔取裝置 SCRAPER
- 2. 回轉籠 BASKET
- 3. 上蓋 COVER
- 4. 外殼 CASING
- 5. 主馬達 MAIN MOTOR
- 6. 離合器 CLUTCH
- 7. 副馬達 SUB MOTOR
- 8. 減速機 REDUCER
- 9. 底座 BED
- 10. 皮帶輪 BELT WHEEL
- 11. 主軸 SHAFT
- 12. 煞車裝置 BRAKE UNIT
- 13. 支腳 STAND



規格表(Specification)

原料處理能力 Capacity Material	230 Liter/Batchl	170 Liter/Batchl
迴轉籠直徑 Basket Diameter(DO)	48"(φ1220mm)	42"(φ1067mm)
迴轉數 Revolutions	H.S.840R.P.M L.S.60 R.P.M	H.S.900R.P.M L.S.70 R.P.M
動力 Power	30HP ES直流馬達(可變速) DC MOTOR	20HP ES直流馬達(可變速) DC MOTOR
高速脫水 H.S.Centrifuging		
材質 Material	接液部SUS-304或加襯硬質耐酸橡膠 Slurry contacting surface by SUS-304 or hard rubber lining	接液部SUS-304或加襯硬質耐酸橡膠 Slurry contacting surface by SUS-304 or hard rubber lining

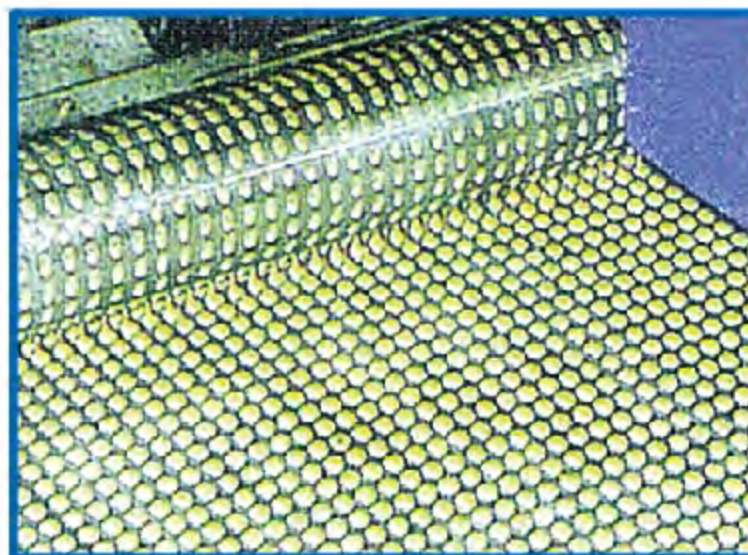
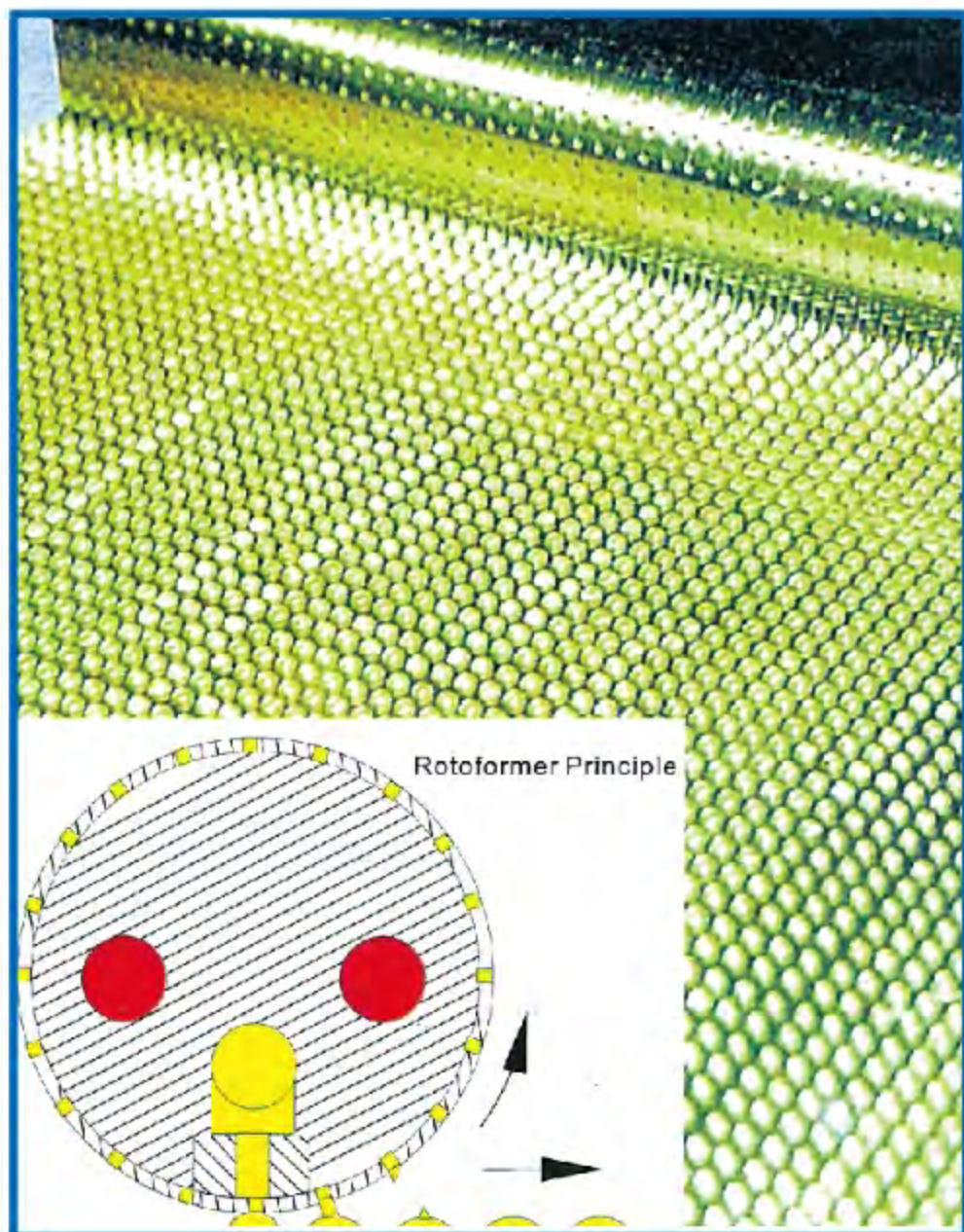
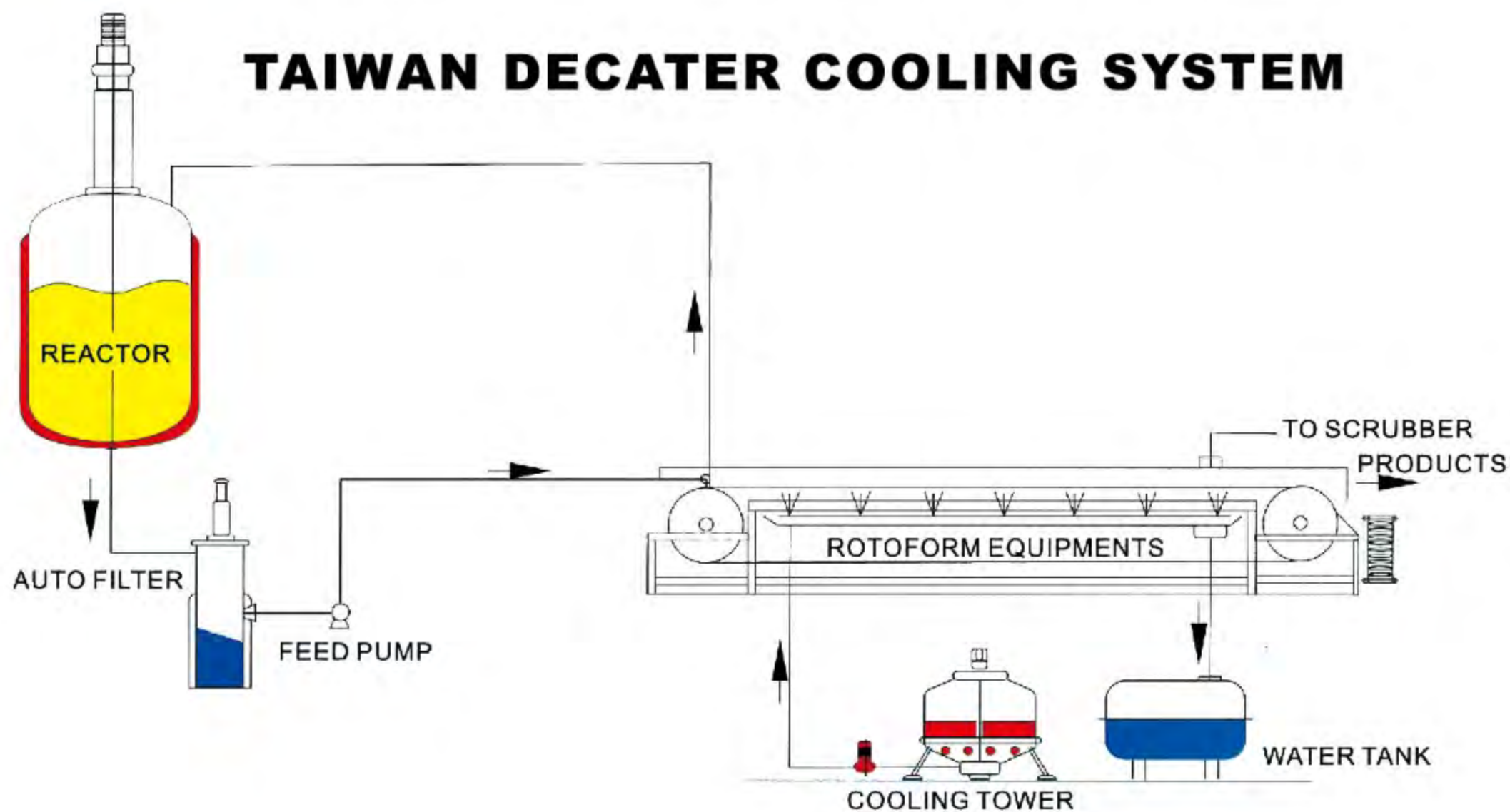
附註：除上述規格及尺寸外，可依實際使用情形，設計製造。

Remark: Besides of the above specifications & Dimensions, others can be designed and produced by orders.

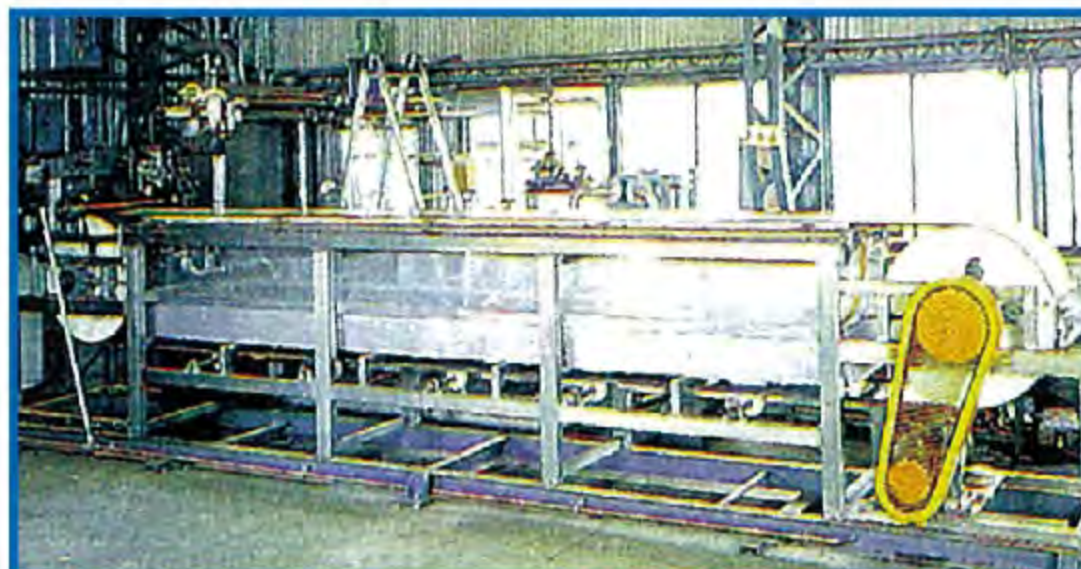


造粒機流程圖

TAIWAN DECATER COOLING SYSTEM



造粒機ROTOFORM



本公司有測驗機可提供測試

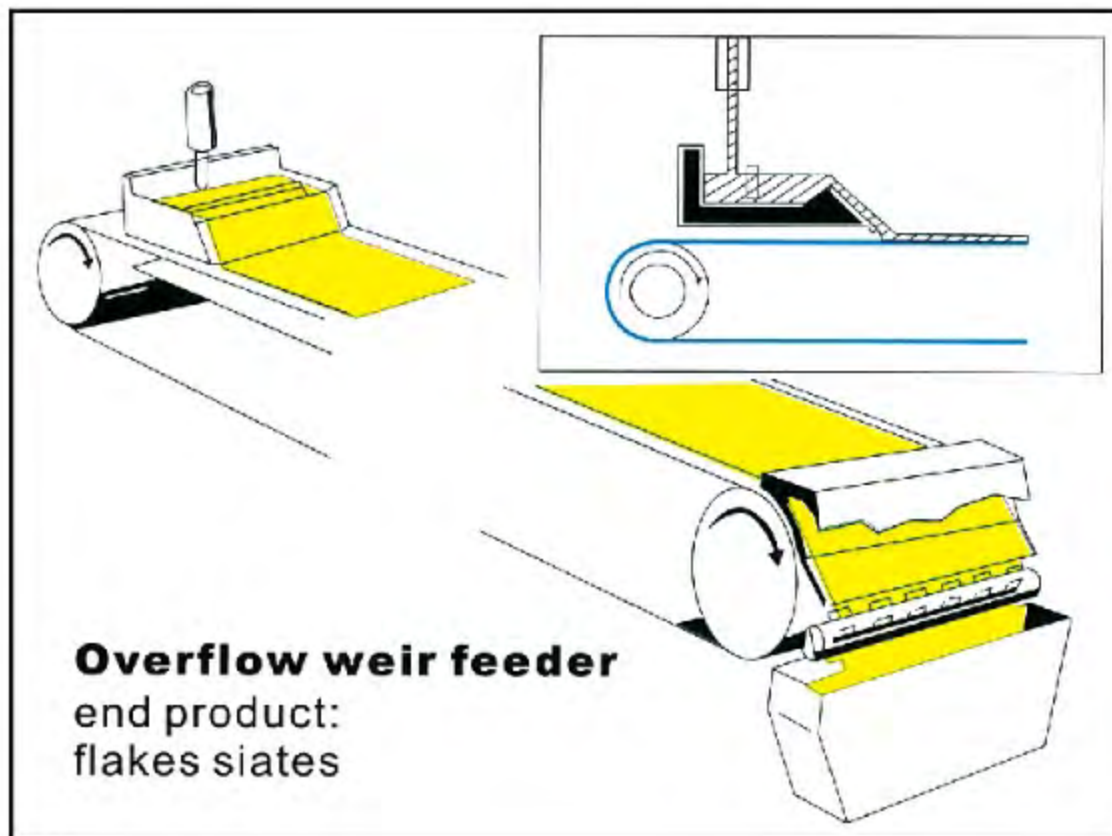
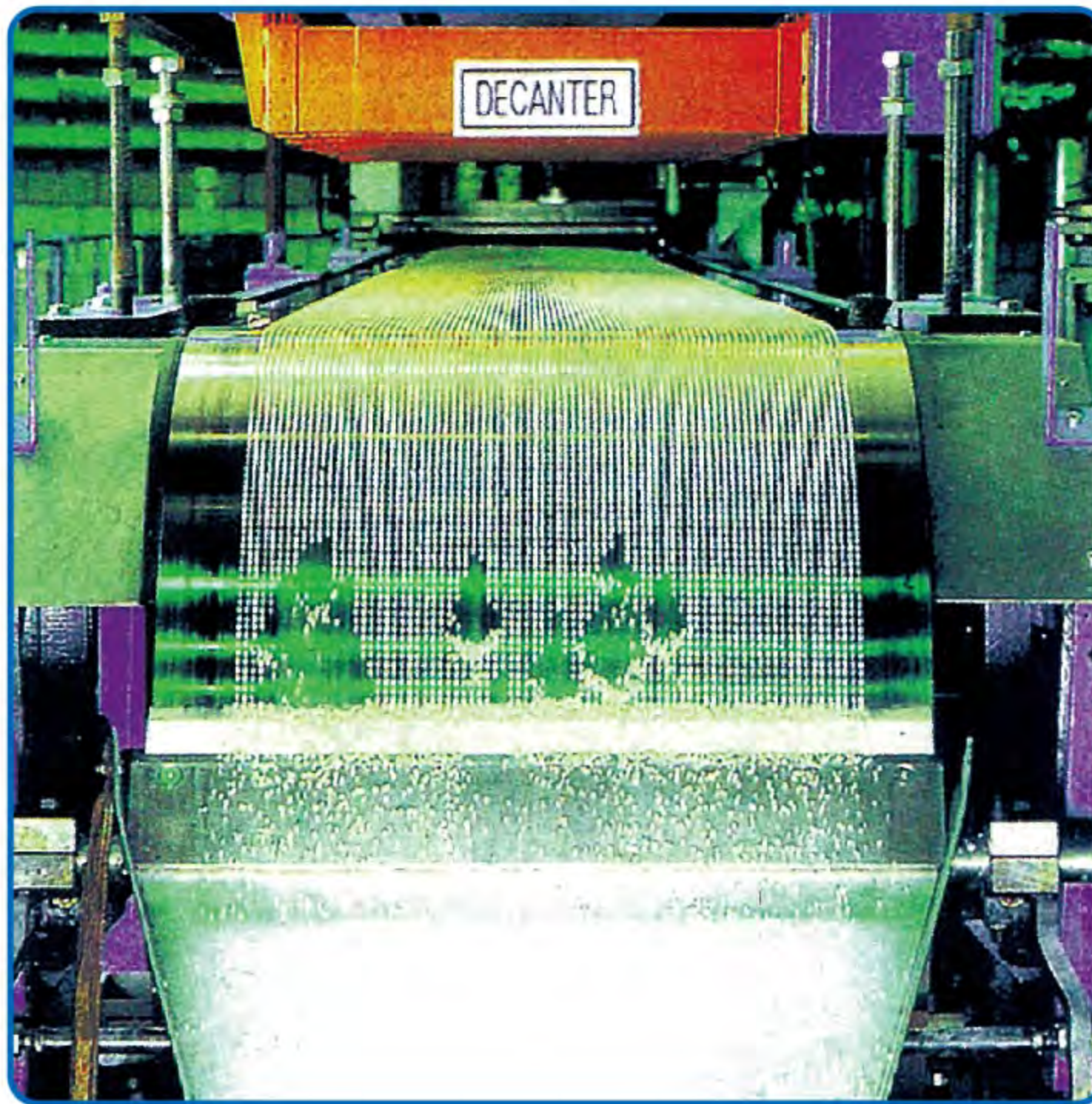


臺灣迪肯特股份有限公司

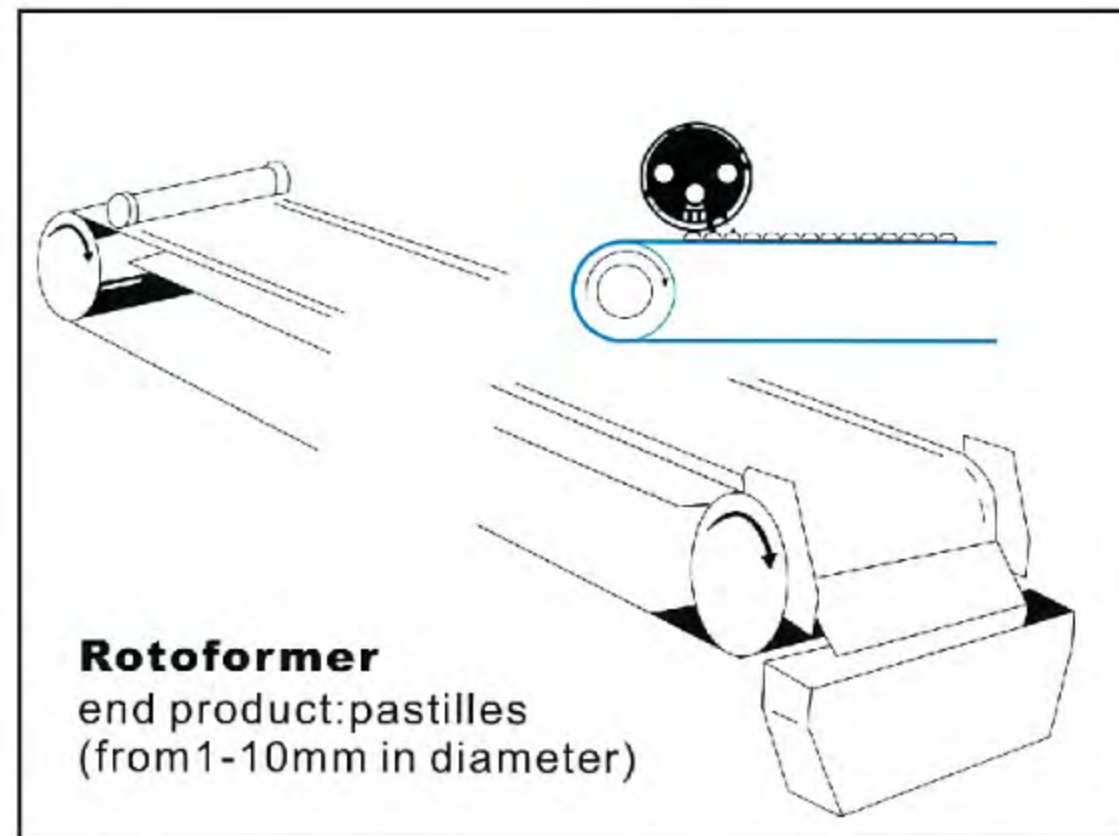
通過ISO9001國際認證

樹脂造粒、製片機

ROTOFORM FLKERS



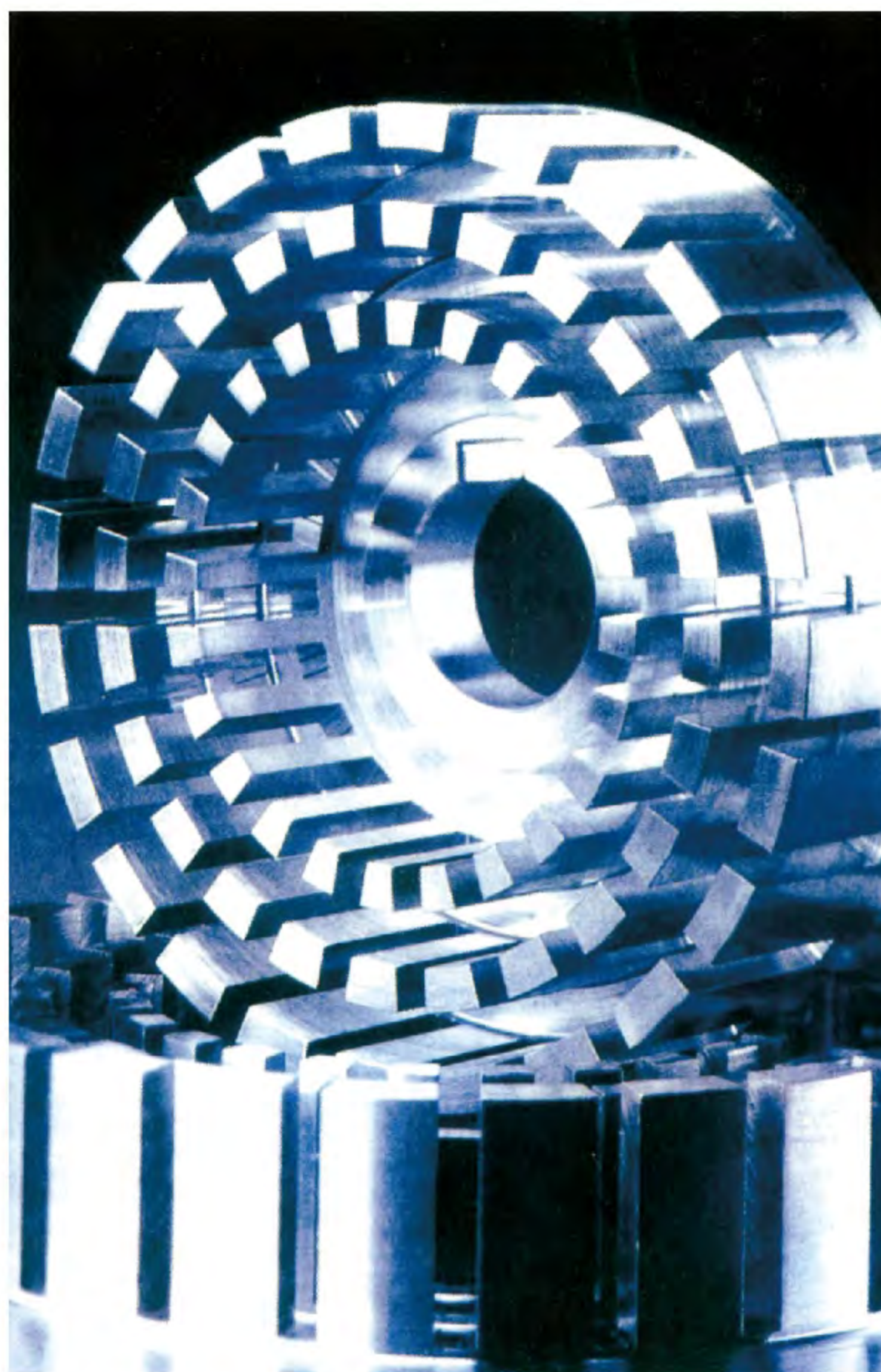
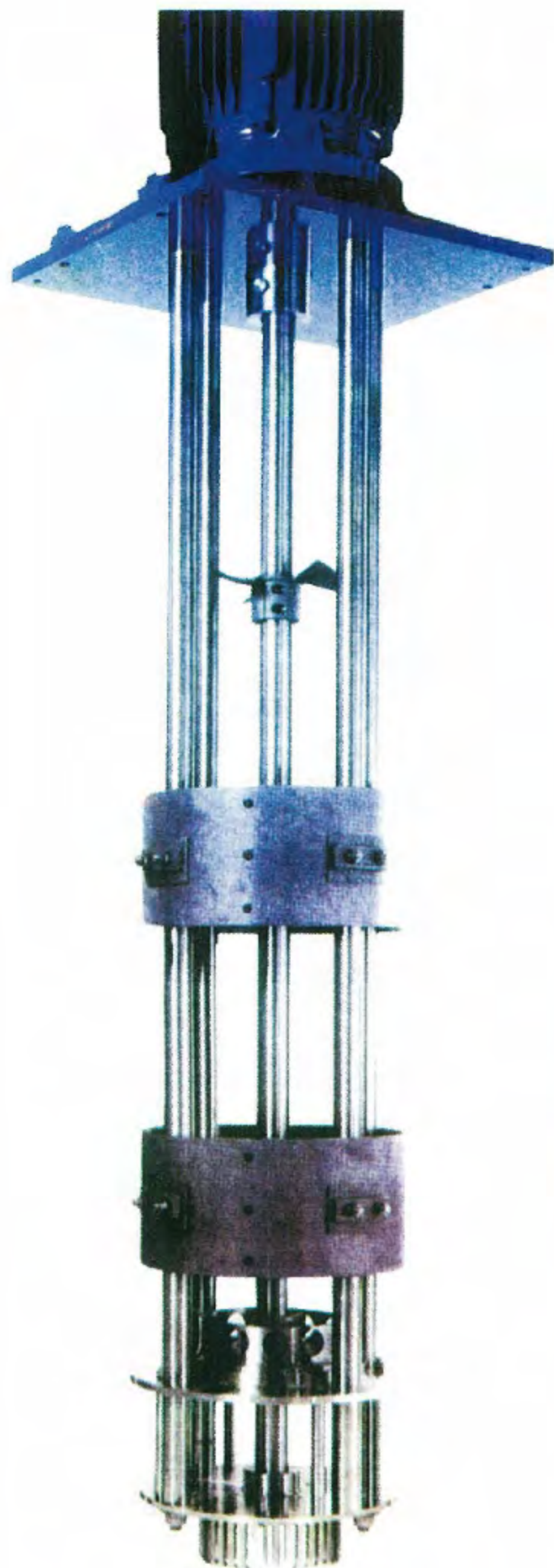
製片機



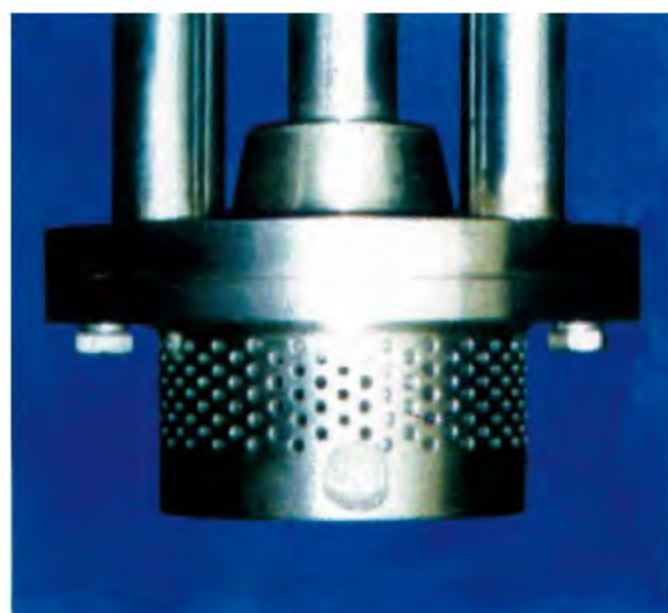
造粒機

地址：新竹縣新豐鄉新豐村1鄰紅毛23-12號
No.23-12,HongMao,1st Neighborhood, Sinfong Village,
Sinfong Township, HsinChu County,30472,Taiwan(R.O.C.)

TEL 886-3-5686800
FAX 886-3-5680390
E-MAIL decanter@ms10.hinet.net



管綫式高剪切混合分散乳化機
對偶式多層定轉子圖示



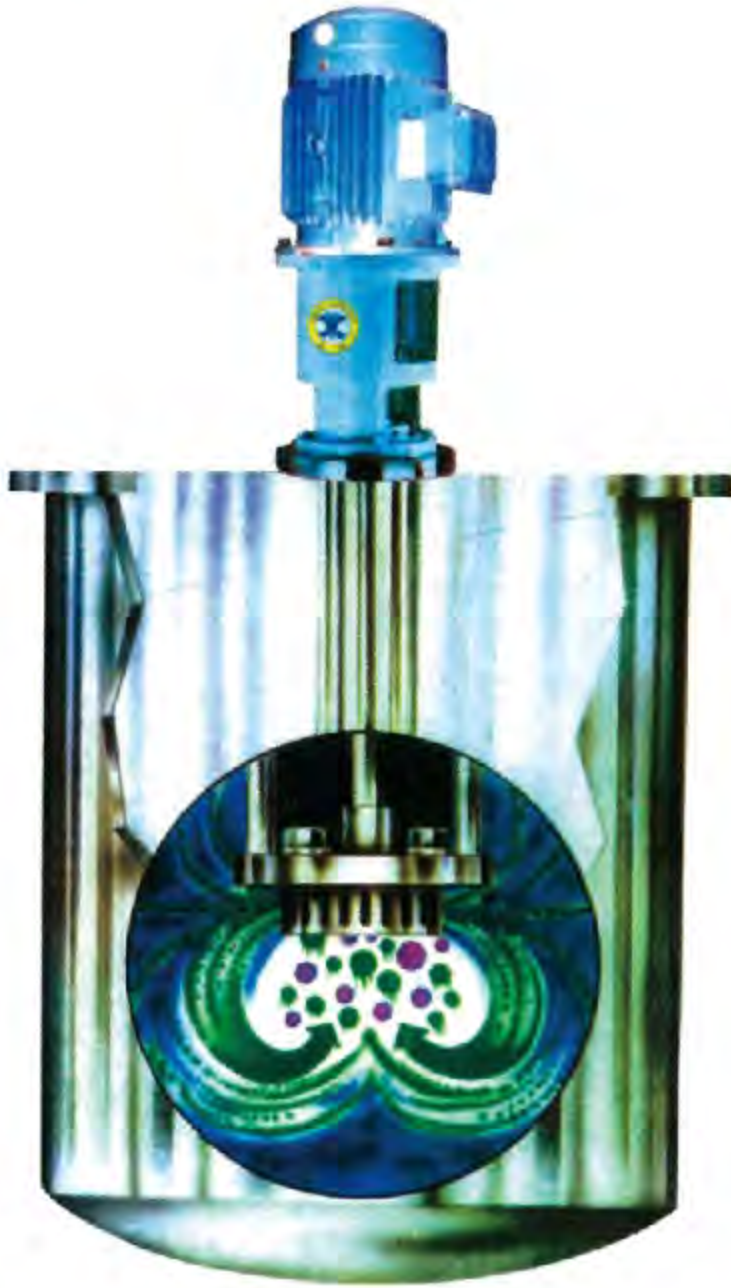
標準型網孔乳化頭



標準型長孔細化分散頭



標準型圓孔混合頭

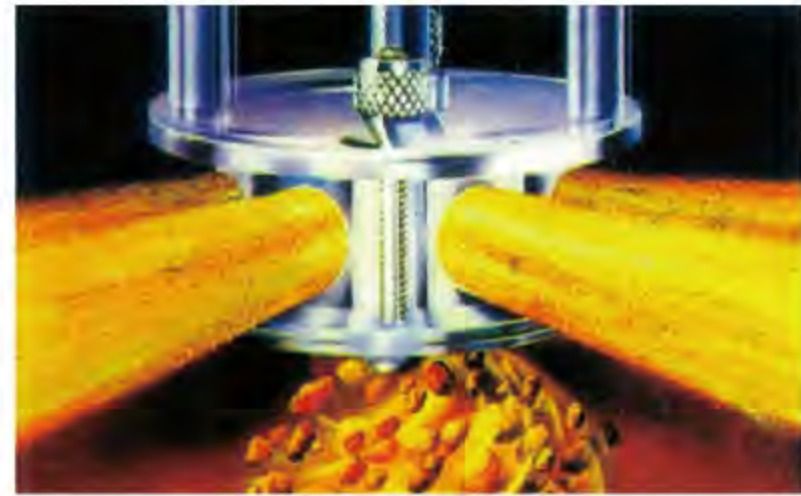


高剪切混合分散乳化機
(斧式容器固定安裝使用)圖示

高剪切混合分散乳化機以其高速混合、分散、快速細化、溶解、均質、乳化等六大顯著特徵為廣大用戶所選用。機械和液壓離速剪切力是MBE系列成功的關鍵，高速旋轉的轉子與定子精密配合，所產生的高剪切綫速度和高頻機械效應帶來的機械剪切及液壓剪切力，確保物料在每分鐘內承受幾十萬次的剪切，物料在定轉子精密間隙中受到強烈的離心擠壓、剪切、噴射、液層摩擦、碰撞、撕裂細化及湍流、紊流、渦流等複雜液流綜合作用下，使不相容的液相、液氣相、液固相在相應成熟工藝條件共同作用下，瞬間均勻精細地混合、分散、細化、乳化，如此地循環往復，最終獲得高品質的產品。



混合乳化原理圖(1)



混合乳化原理圖(2)

混合均質機技術規格(反應釜尺寸重量不在內)

型號	SC-2	SC-5	SC-10	SC-25	SC-30	SC-50	SC-75	SC-100
處理能力(L)	100	200	1000	2000	3000	5000	8000	22000
配載功率KW	1.1	4	7.5	18.5	22	37.5	55	75
轉速/rpm	2880	2880	2880	2880	1440	1440	1440	1440
工作部分長度(mm)	580	780	1050	1320	1370	1840	2000	2600
總長(mm)	1150	1450	1840	2400	2500	3500	4000	5000
重量(大約)kg	50	88	180	350	550	650	850	1100

附註：除上述規格及尺寸外，可依實際使用情形，設計製造。

Remark: Besides of the above specifications & Dimensions, others can be designed and produced by orders.

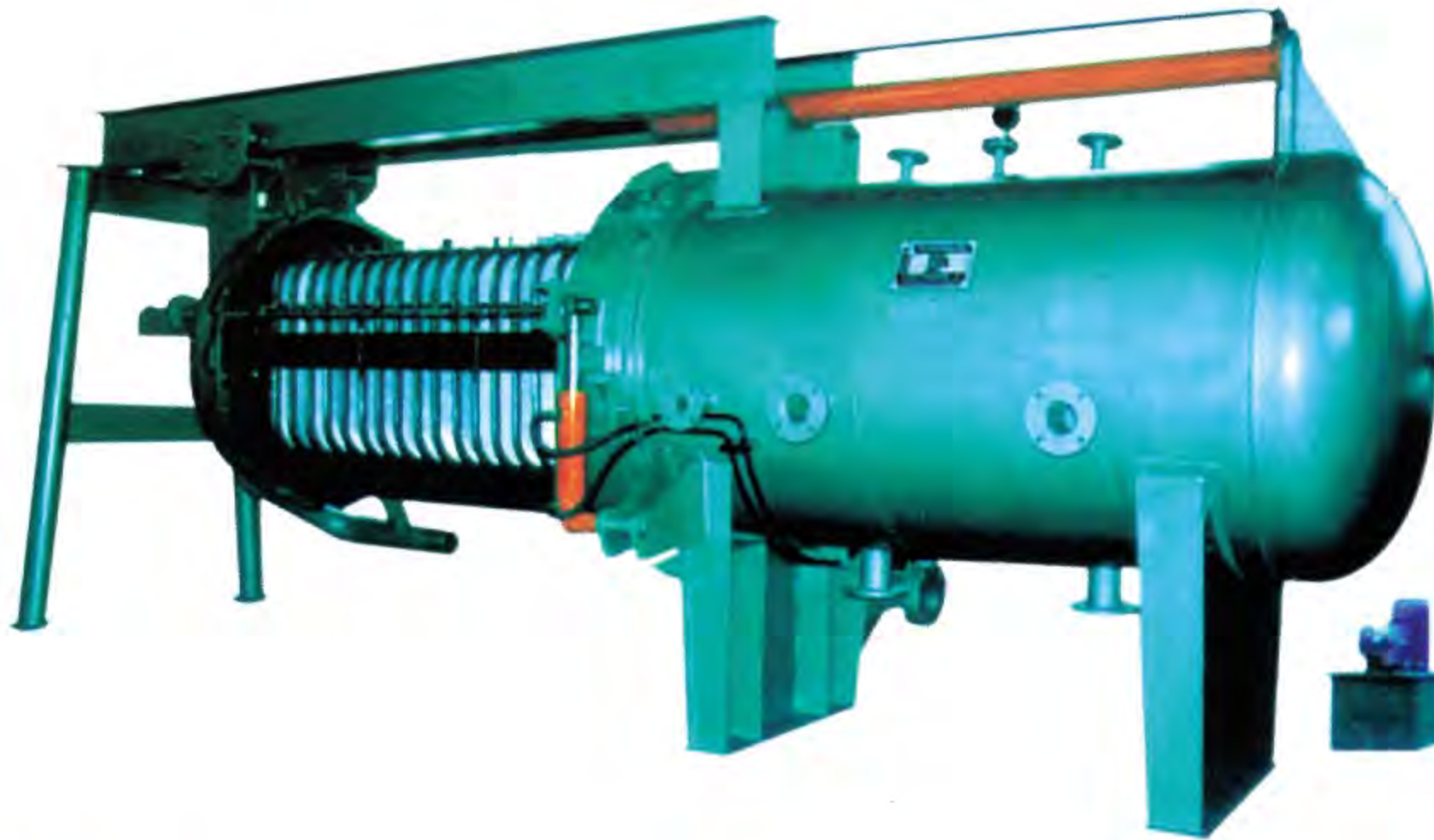
地址：新竹縣新豐鄉新豐村1鄰紅毛23-12號
No.23-12, HongMao, 1st Neighborhood, Sinfong Village,
Sinfong Township, HsinChu County, 30472, Taiwan(R.O.C.)

TEL 886-3-5686800
FAX 886-3-5680390
E-MAIL decanter@ms10.hinet.net



概述 臥式密閉自動過濾機是一種高效、節能、自動密閉過濾的精密澄清設備。它廣泛用於化工、石油、食品、製藥等行業。具有以下特點:

- 完全密閉過濾，無泄漏，無任何環境汙染。
- 濾網板自動拉出結構，便於觀察和清渣。
- 雙面過濾，過濾面積大，容渣量大。
- 振動排渣，降低勞動強度。
- 液壓控制，實現操作自動化。
- 該設備可作成大容量、大面積的過濾系統。



使用範圍

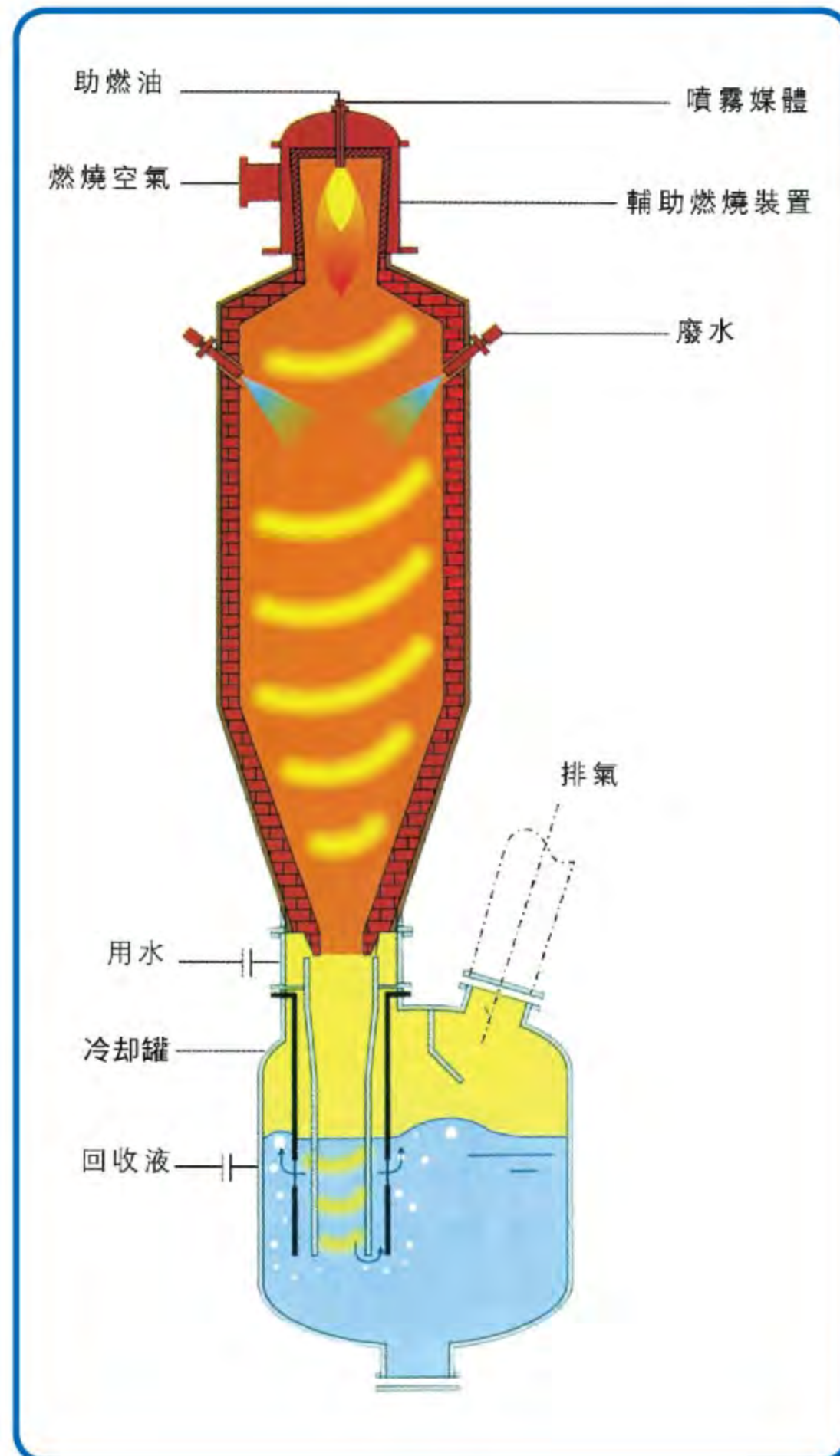
- 乾濾餅、半乾濾餅及澄清濾液的回收。
- 化工：硫磺、硫酸鋁、復合鋁化物、塑料、染料中間體、漂白液、潤滑油添加劑、聚乙烯。
- 食品工業：糖汁、油脂、脫蠟、脫色、脫脂。

主要規格和技術參數

面積系列 (m ²)	筒體直徑系列 (mm)	工作壓力 (MPa)	工作溫度 (°C)	處理能力約 (T/h . m ²)
5,10,15,20,25,30, 35,40,45,50,60,70, 80,90,100,120,140, 160,180,200	900,1200, 1500,1600, 1800	0.4	150	油脂 0.2 樹脂 0.7 飲料 0.8



所謂廢水燃燒是指將廢棄液體、廢燃料燃燒，將燃燒後燃料直接注入液態裝置中冷卻的系統。可將800-1400°C的高溫燃料瞬間冷卻到90°C水分飽和的狀態，在濃縮、蒸發與溫水製造方面十分有效。



本公司與日本第一工程株式會社技術合作

地址：新竹縣新豐鄉新豐村1鄰紅毛23-12號
No.23-12, HongMao, 1st Neighborhood, Sinfong Village,
Sinfong Township, HsinChu County, 30472, Taiwan(R.O.C.)

TEL 886-3-5686800
FAX 886-3-5680390
E-MAIL decanter@ms10.hinet.net



臺灣迪肯特股份有限公司

通過ISO9001國際認證

廢水蒸發裝置

WASTE WATER EVAPORATOR



DMF 溶劑、回收



溶劑回收蒸餾設備

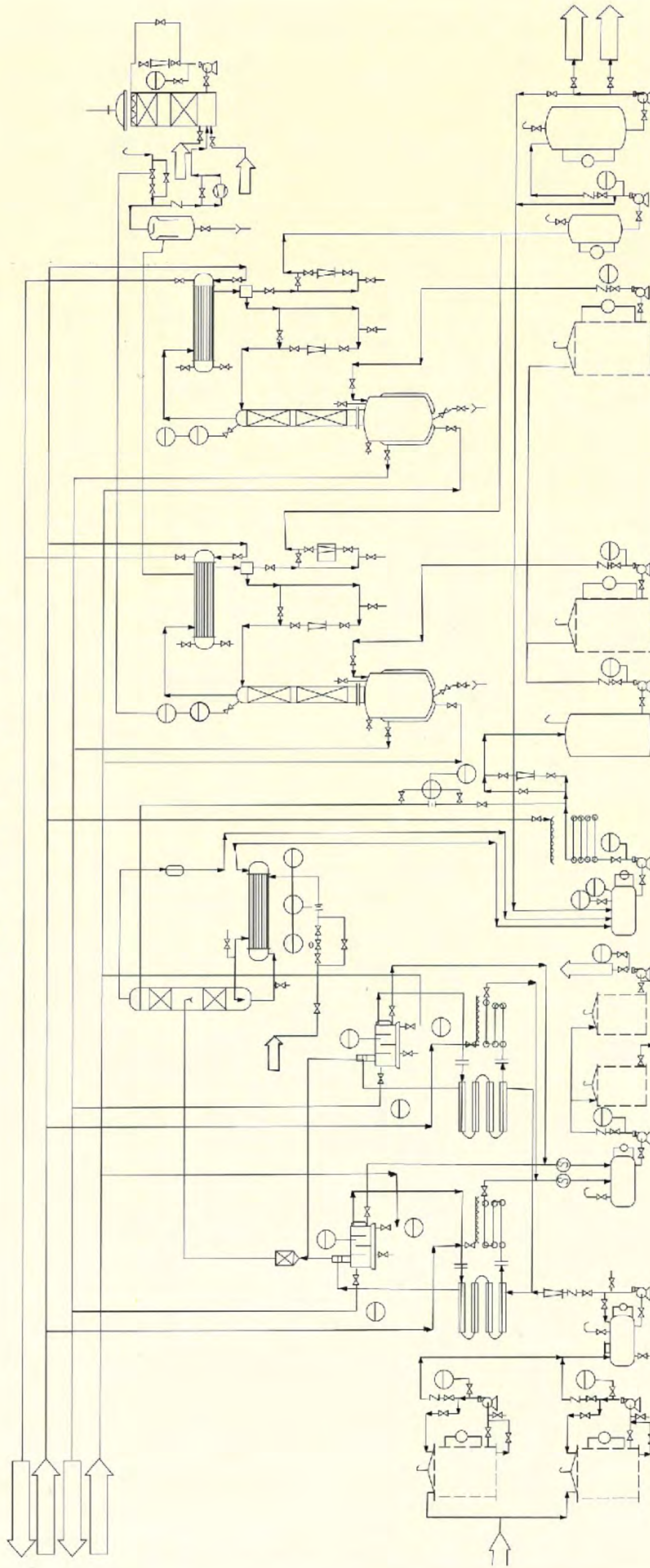
地址：新竹縣新豐鄉新豐村1鄰紅毛23-12號
No.23-12,HongMao,1st Neighborhood, Sinfong Village,
Sinfong Township, HsinChu County,30472,Taiwan(R.O.C.)

TEL 886-3-5686800
FAX 886-3-5680390
E-MAIL decanter@ms10.hinet.net

TAIWAN DECANTER

整廠設備

WHOLE PLANT EQUIPMENT



P&I DIAGRAM

DWG.NO.TD-89-0821
FILE NO.TD-21

TAIWAN DECANTER CO.,LTD

台灣迪肯特股份有限公司

DATE:2000



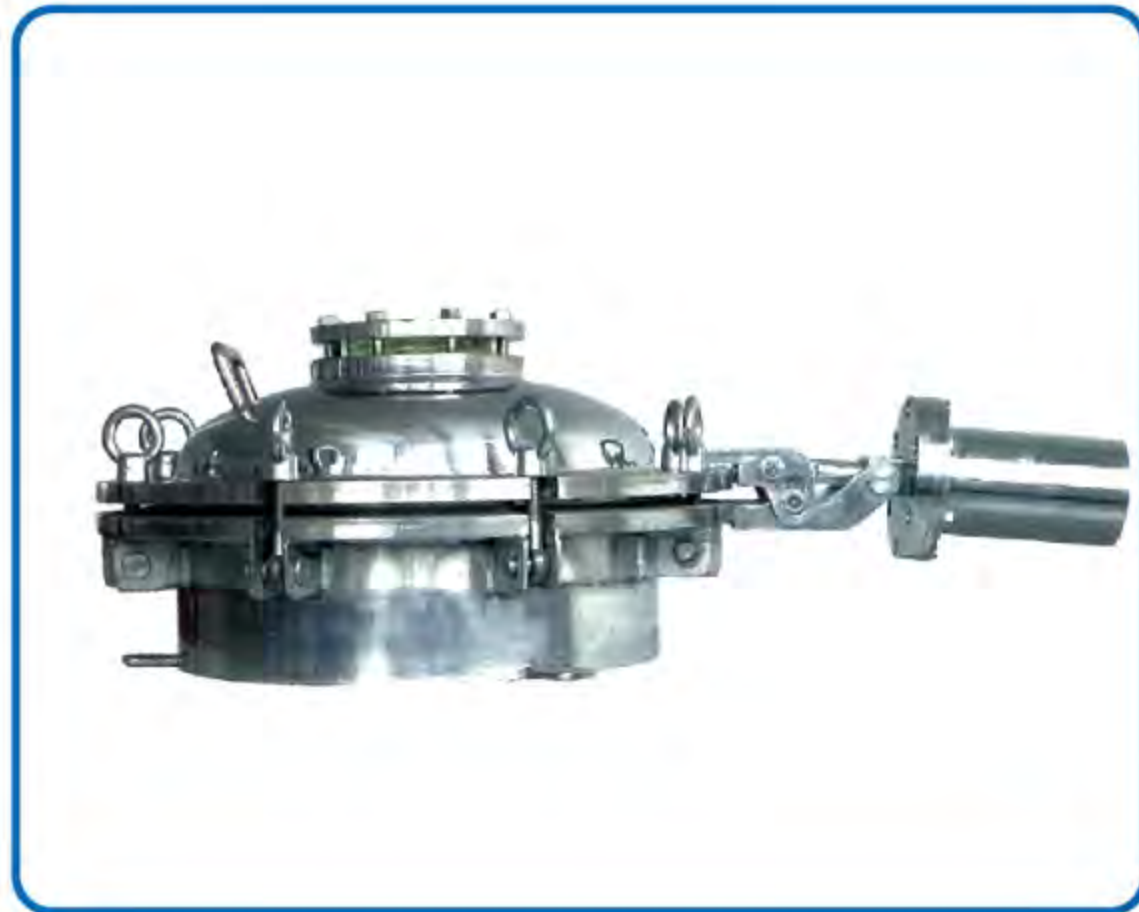
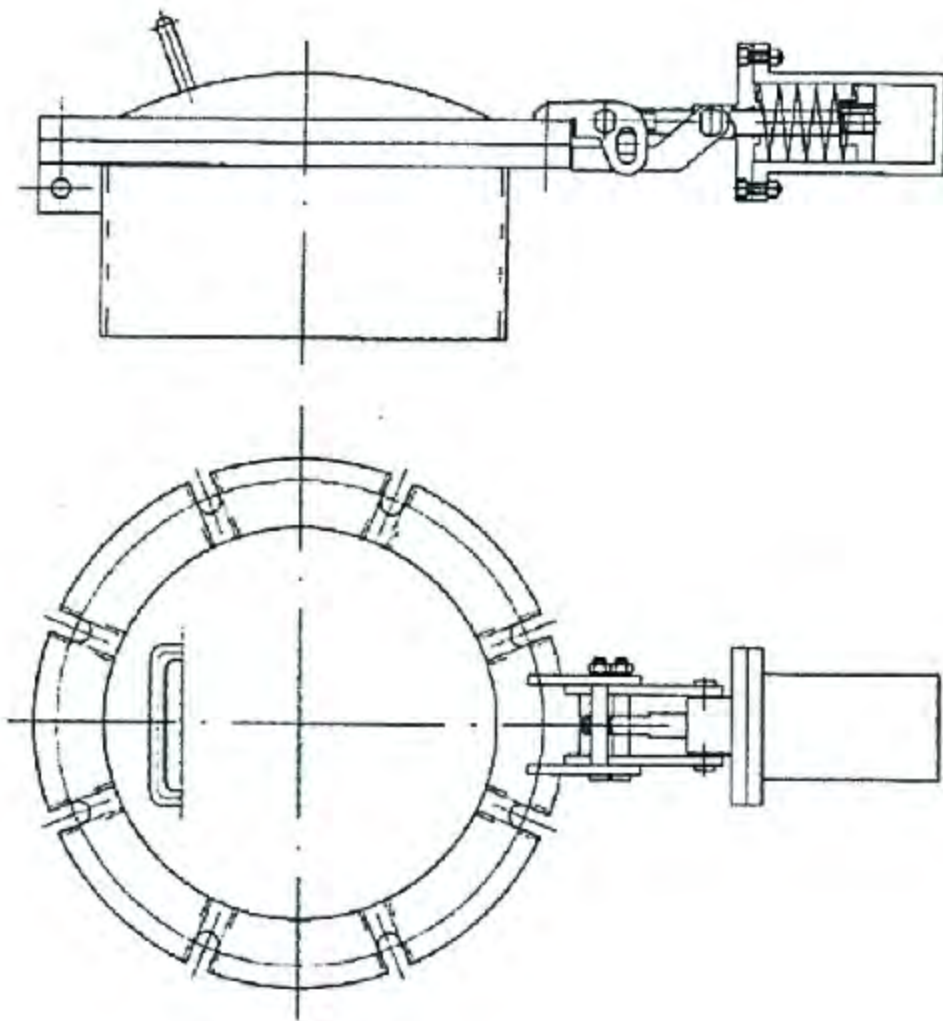
臺灣迪肯特股份有限公司

通過ISO9001國際認證

人孔省力裝置

MAN HOLE OF LABOR SAVING WITH AN OPENING

構造圖 (STRUCTURE DIAGRAM)



地址：新竹縣新豐鄉新豐村1鄰紅毛23-12號
No.23-12,HongMao,1st Neighborhood, Sinfong Village,
Sinfong Township, HsinChu County,30472,Taiwan(R.O.C.)

TEL 886-3-5686800
FAX 886-3-5680390
E-MAIL decanter@ms10.hinet.net



臺灣迪肯特股份有限公司

通過ISO9001國際認證

緊急沖洗器(洗眼器)

URGENT FLUSHER

